

HPU Micro Uni-directional Powerpack

Example of coding

HPU Micro Uni-Directional Hydraulic Power pack range

HPU
11
04
H
S
C
N
S01

DC Motor Range
AC Motor
Motor connection flanges and drive couplings

"XV" Gear Pumps

Mounting orientation

Central Manifold and circuits

Solenoid Valve

Flow Control Insert

Tank and filler

HPU 1 1 04 H S C N S 01

MOTORS		
1		12 Volt DC
2		24 Volt DC
S		240VAC
T		415VAC
	1	150Watt
	2	250Watt
	5	500Watt
	8	800Watt
M	1	150W 240VAC
M	2	200W 240VAC
	C2	0.37kW 2pole
	D2	0.55kW 2pole

PUMP	
01	0.16cc/rev
02	0.24
04	0.45
05	0.56
07	0.75
10	0.98
12	1.27
15	1.48

BODY	
S	Standard
X	Special

MOUNTING	
H	Horizontal
V	Vertical

FLOW CONTROL	
1	Litres/minutes
2	
3	
4	

VALVE	
C	Normally closed
O	Normally open
E	Normally closed with Manual override
N	None

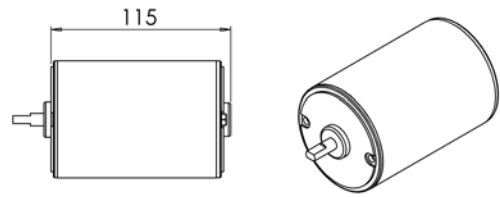
TANK		
B		Body Filler
E		End Filler
N		No Filler
S		Side Filler
	01	0.1 Litre Alloy
	02	0.2 Litre Alloy
	05	0.5 Litre Alloy
	10	1.0 Litre Alloy
	05P	0.5 Litre Plastic

MOTORS

HPU

DC Motors— 150W and 250W IP44

HP4129 12V 150W	11
HP4028 12V 250W	12
HP4135 24V 150W	21
HP4029 24V 250W	22

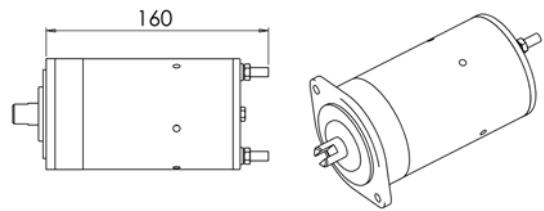


for performance data see page 8

11

DC Motors— 500W and 800W IP44

HP4143 12V 500W	15
HP4145 12V 800W	18
HP4144 24V 500W	25
HP4146 24V 800W	28



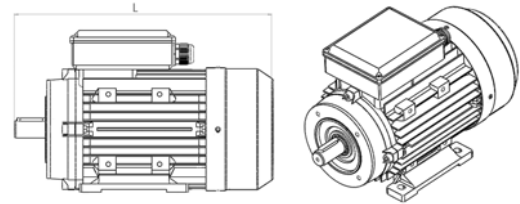
for performance data see page 9

04

H

AC Motors - 1 phase 240V 50Hz B34 IEC IP55

0.37kW 2pole 71 frame	L = 180	SC2
0.55kW 2pole 71 frame	180	SD2



Permanent capacitor motors are preferred with a 0.5-0.9 FLT starting torque.

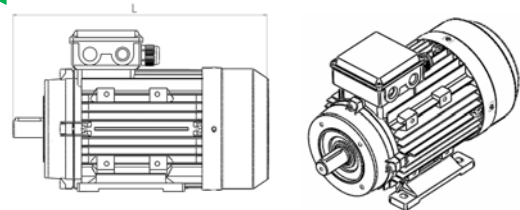
S

C

N

AC Motors - 3 phase 380/415V 50Hz B34 IEC IP55

0.37kW 2pole 71 frame	L=211	TC2
0.55kW 2pole 71 frame *	225	TD2



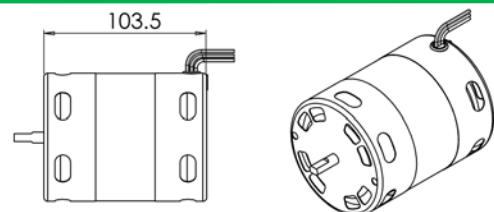
Dual European voltages, up to 3kW 230/400 above 400/690V. Dual 50/60Hz rated. S1 Continuous Duty S1. Thermistors PTC.

S01

AC Motor - 150Watt 240V 50Hz S2 duty

AF1H6912K 240V 150W	M1
---------------------	----

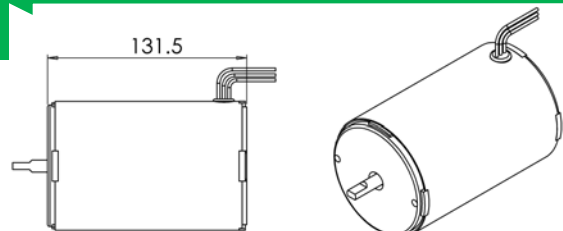
for performance data see page 10



AC Motor - 250Watt 240V 50Hz S2 duty

JF1L7008K 240V 250W	M2
---------------------	----

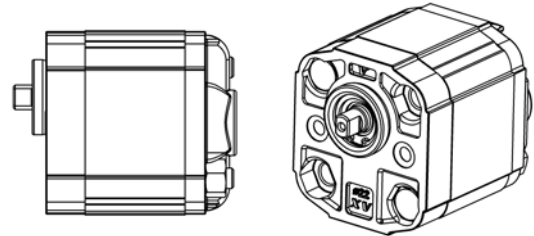
for performance data see page 10



HYDRAULIC PUMPS

Gear Pump group XV 0

Size cm ³ /rev		Type
0.16	250	01
0.24	180	02
0.45	250	04
0.56	180	05
0.75	250	07
0.98	180	10
1.20	250	12
1.48	180	15

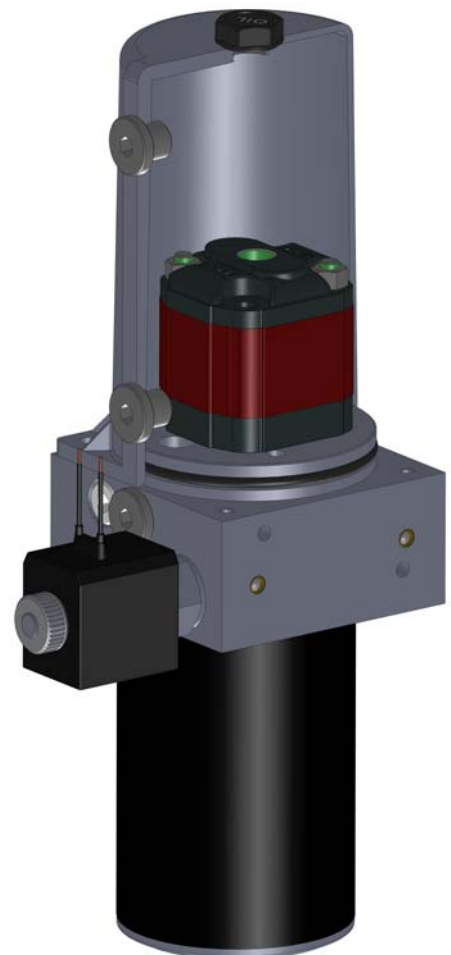
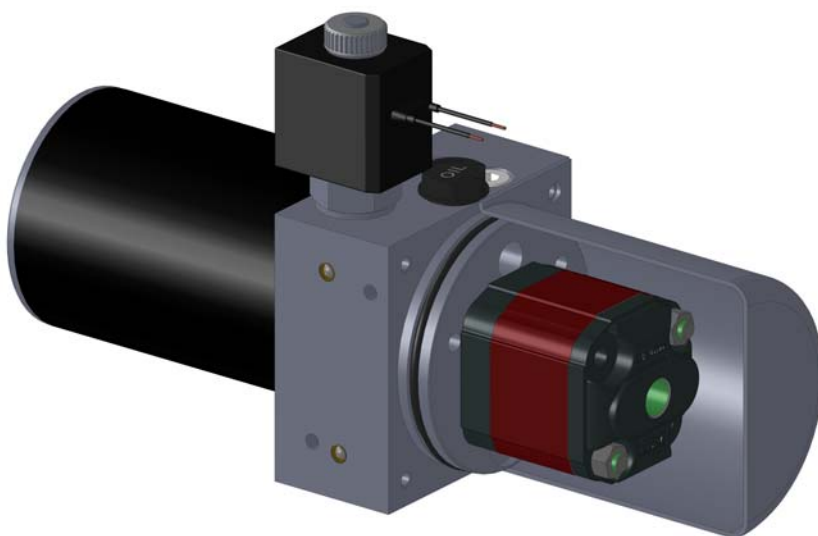


- HPU
- 11
- 04
- H
- S
- C
- N
- S01

MOUNTING

Orientation

Position	Type
Horizontal	H
Vertical—Tank uppermost	V



CENTRAL MANIFOLD

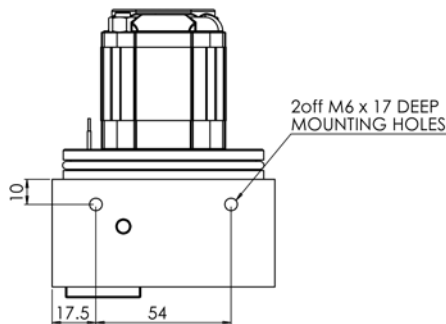
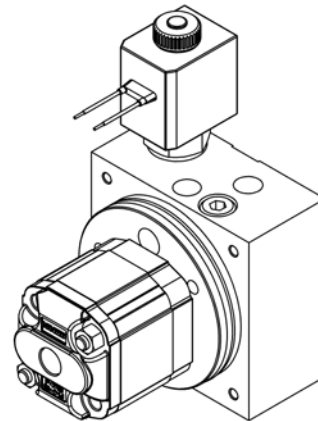
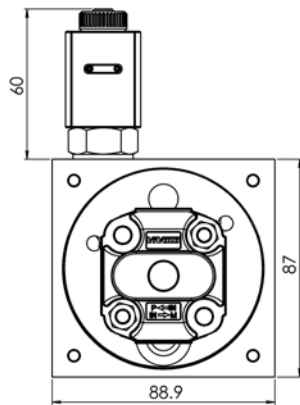
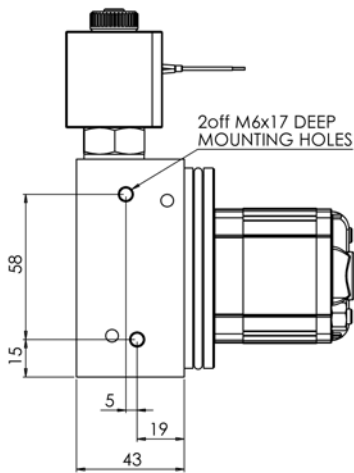
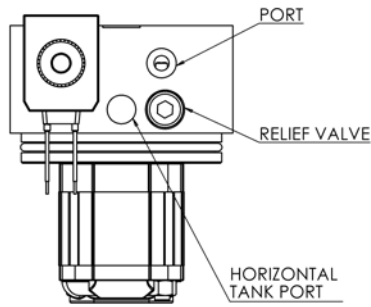
Hydraulic circuit

Body

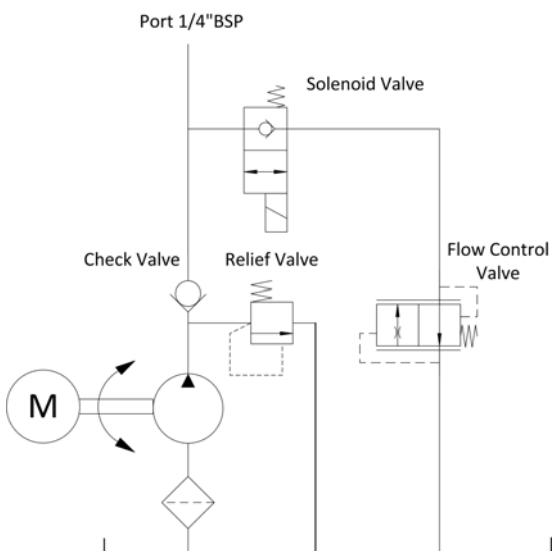
Standard Body with 1/4" BSP Port

S

—Standard Manifold



Hydraulic Circuit -Standard



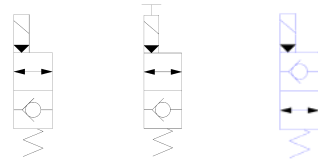
HPU
11
04
H
S
C
N
S01

Single Acting Cartridge Valve

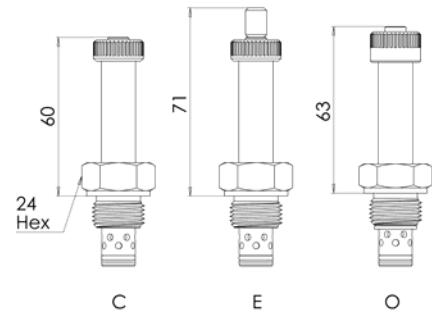
Solenoid Operated

Description

Normally Closed Poppet	C
Normally Closed Poppet with Emergency Override	E
Normally Open Poppet—use 22Watt coils only	O



Type

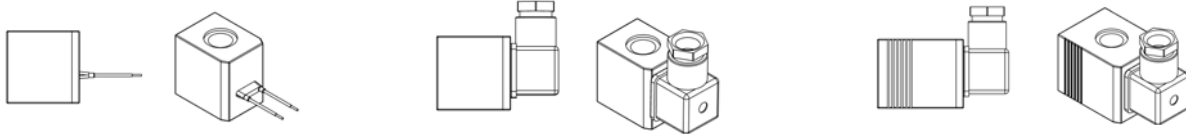


Solenoid Coils

Description

Voltages

18W with Flying leads	12VDC, 24VDC
18Watt with DIN connector	12VDC, 24VDC, 24VAC, 110VAC, 240VAC
22Watt with DIN connector	12VDC, 24VDC, 24VAC, 110VAC, 240VAC



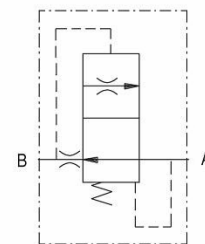
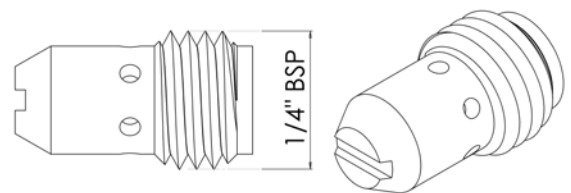
Flow Control Insert

Pressure Compensated Fixed Flow Insert

Description

Type

VSCF01— 1 l/min	1
VSCF02— 2 l/min	2
VSCF03— 3 l/min	3
VSCF04— 4 l/min	4
VSCF05— 5 l/min	5
VSCF06— 6 l/min	6
VSCF07— 7 l/min	7
VSCF08— 8 l/min	8



HPU
11
04
H
S
C
N
S01

Filler/Breather Positions

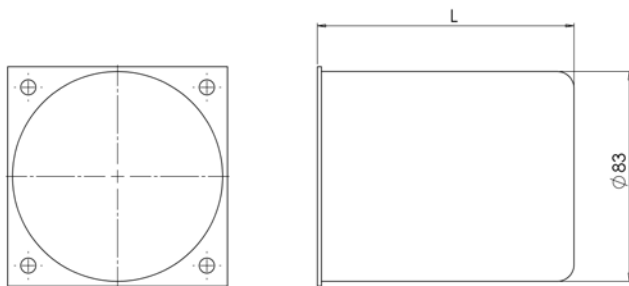
Description	Type
Body Filler - in manifold, horizontal only	B
Side Filler - in tank, horizontal only	S
End Filler - in tank end, vertical only	E
No Filler - consult technical sales for this option	N



Aluminium Oil Tank

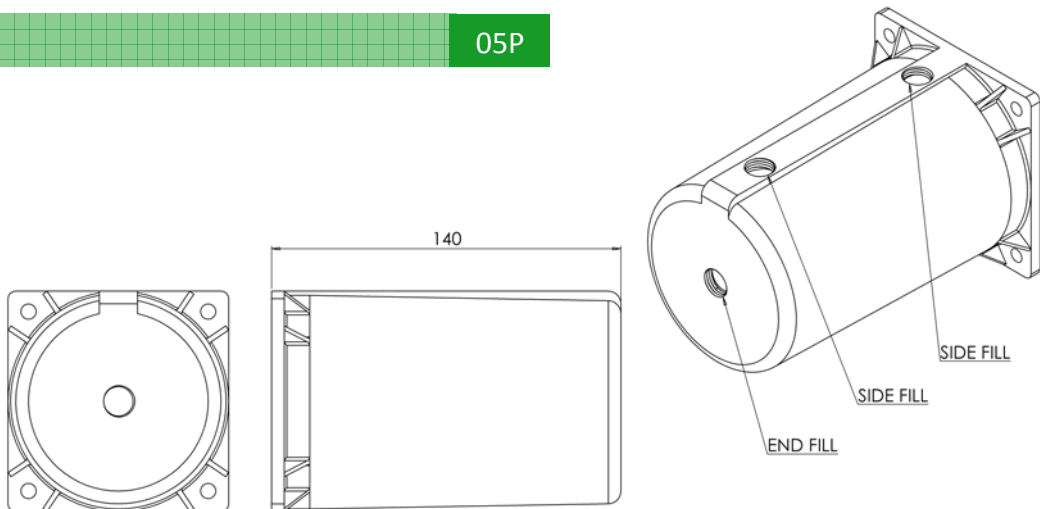
Cylindrical

Description	L=Length	Type
0.1 Litre	80	01
0.2 Litre	100	02
0.5 Litre	140	05
1 Litre	240	10



Plastic Oil Tank

0.5 Litre Plastic	05P
-------------------	-----



HPU

11

04

H

S

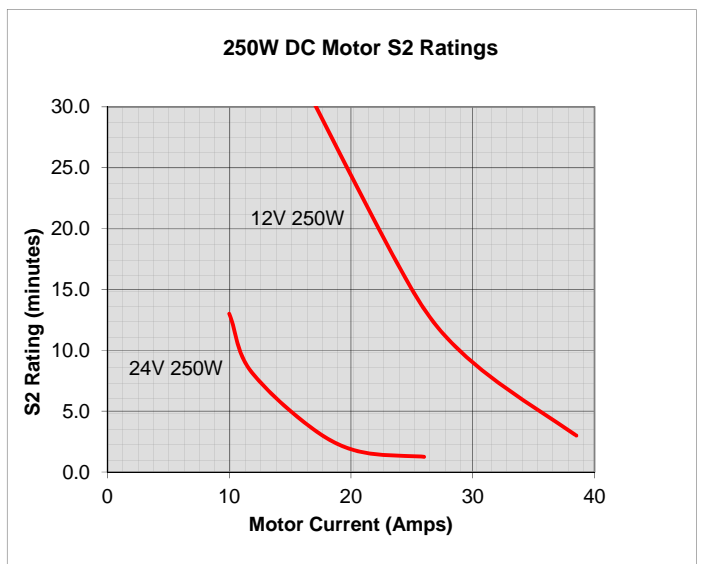
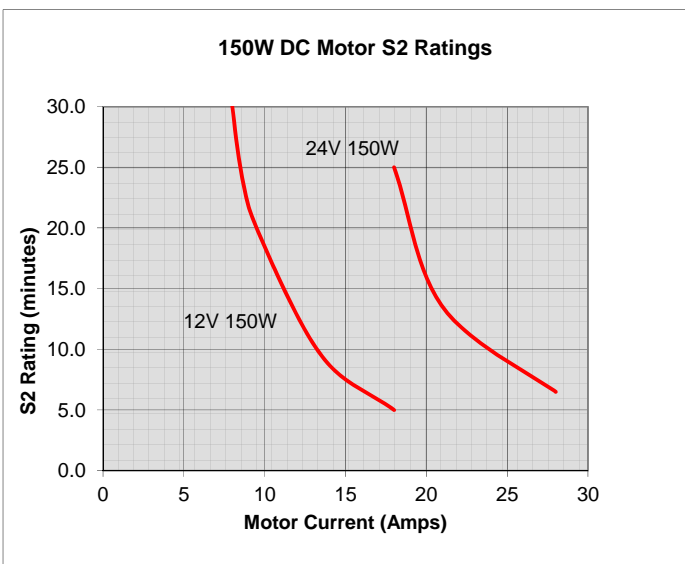
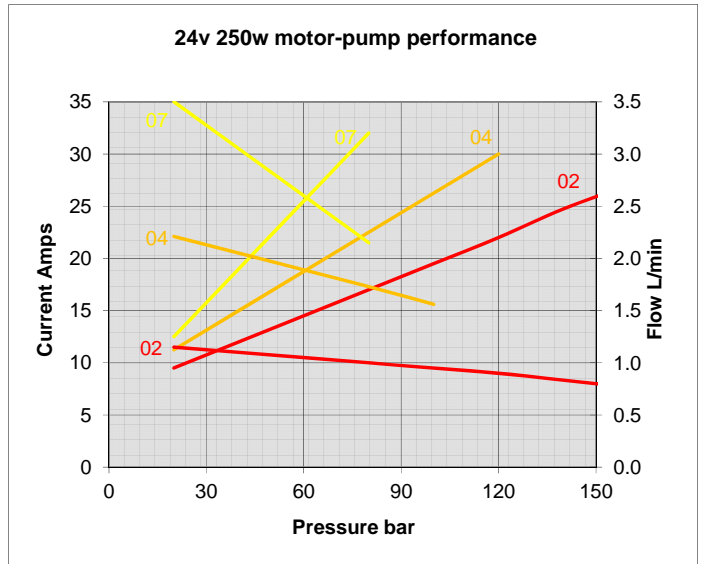
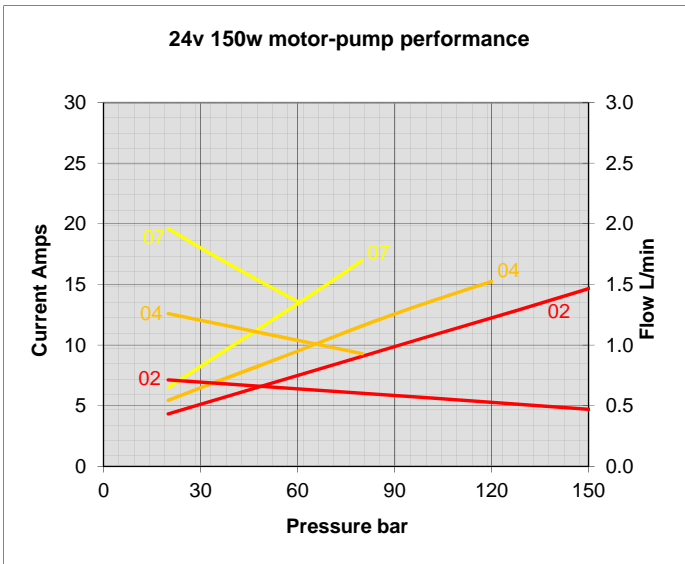
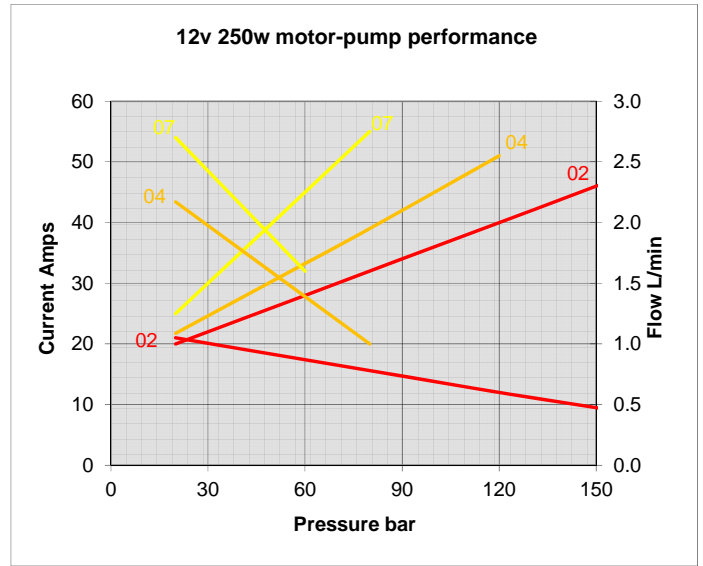
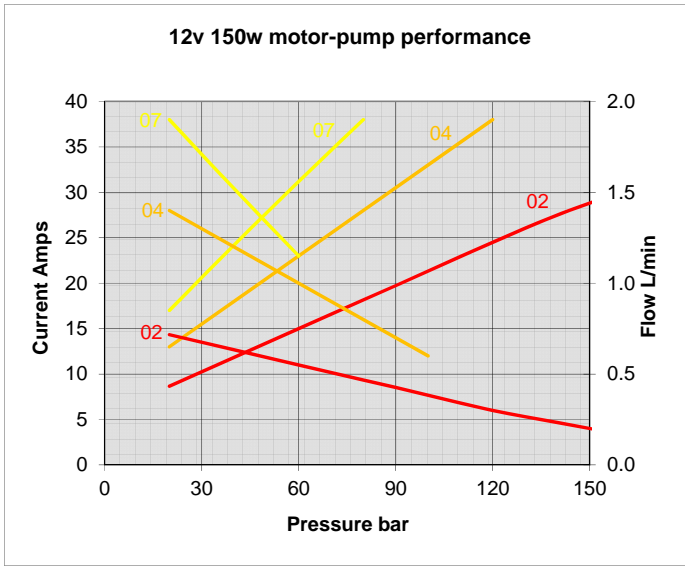
C

N

S01

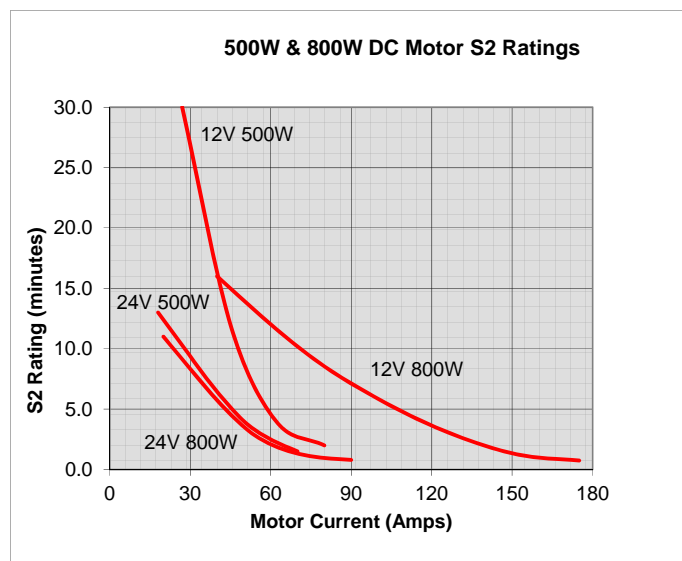
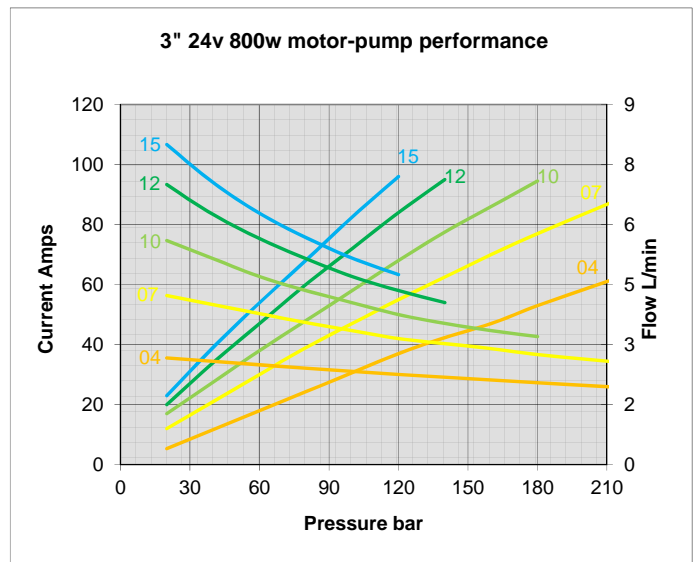
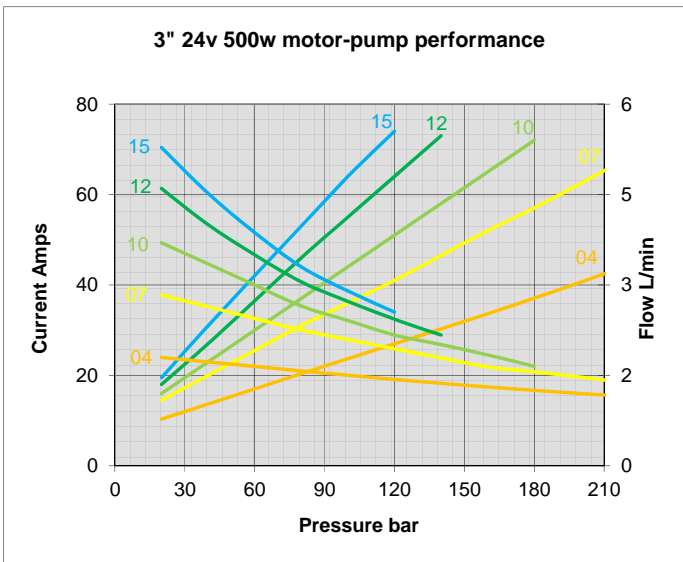
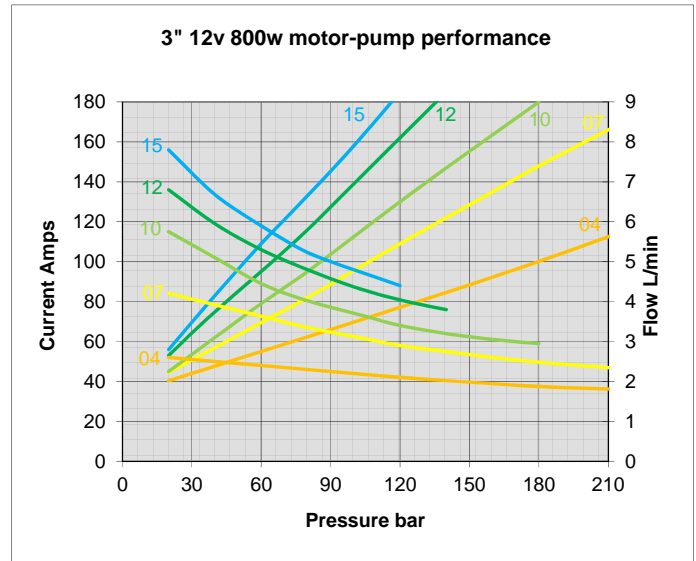
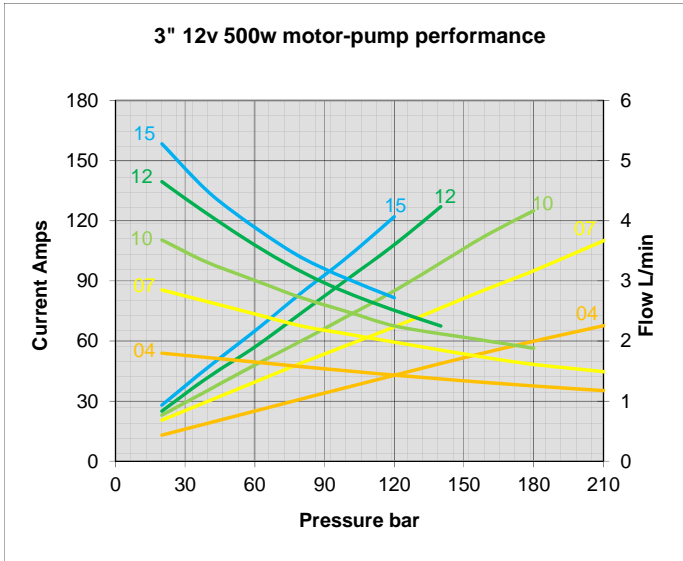
Nominal motor-pump performance at constant voltage and at nominal 20-25° C with ISO 3448/VG22

HPU
11
04
H
S
C
N
S01



S2—Short time Duty— Maximum run time at load, followed by a time of rest to re-establish ambient temperature.

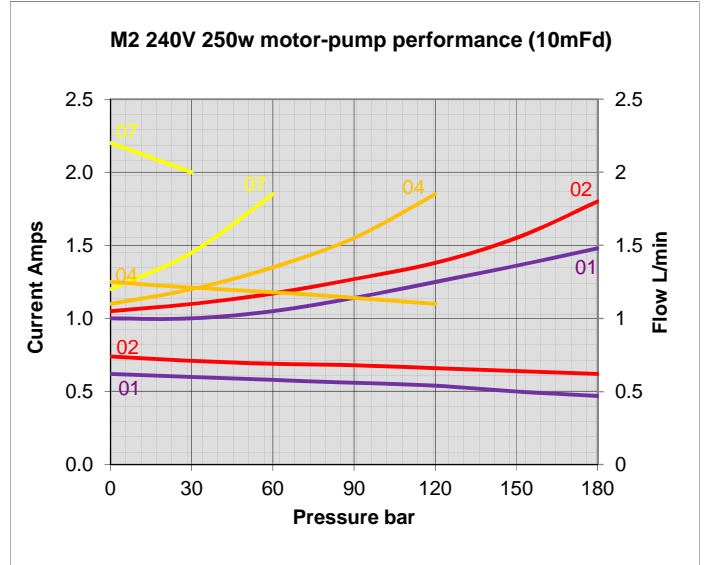
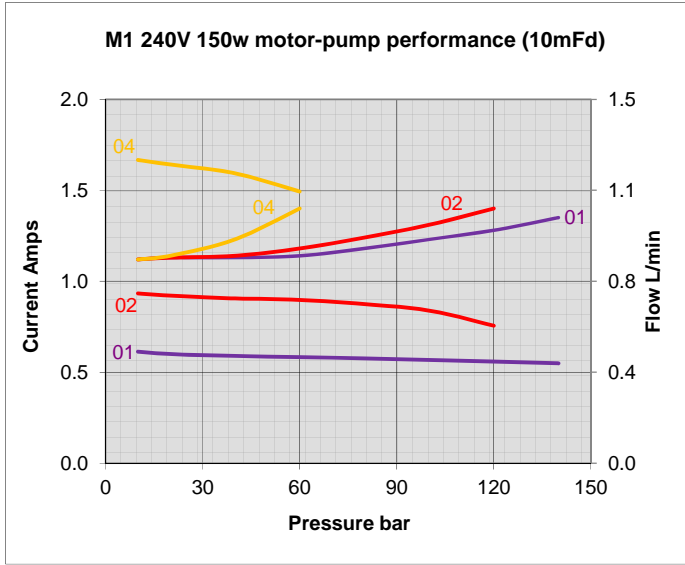
Nominal motor-pump performance at constant voltage and at nominal 20-25° C with ISO 3448/VG22



HPU
11
04
H
S
C
N
S01

S2—Short time Duty— Maximum run time at load, followed by a time of rest to re-establish ambient temperature.

Nominal motor-pump performance at constant voltage and at nominal 20-25° C with ISO 3448/VG22



Hydraulic Data

Maximum Flow 5LPM

Peak Pressure 210 bar

Working Temperature -15 to 70°C

Recommended Hydraulic Oil

Contamination 17/14 ISO 4406 class

Hydraulic Mineral Oil 6743/4 DIN 51519

Viscosity ISO3448/VG32

