

Interfluid

Hydraulics Ltd

Beeching Park
Kelly Bray
Callington
Cornwall
PL17 8QS

Tel: +44 (0) 1822 833111

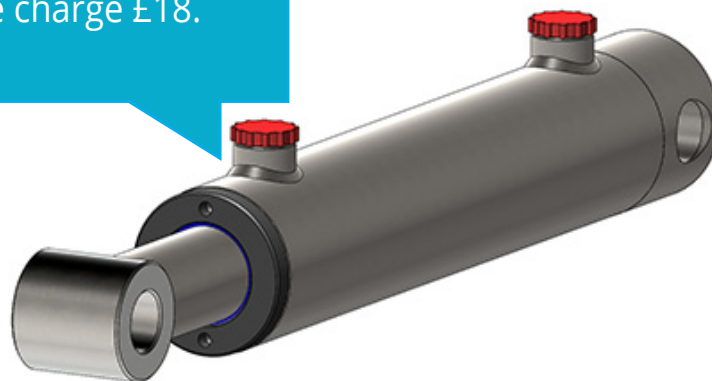
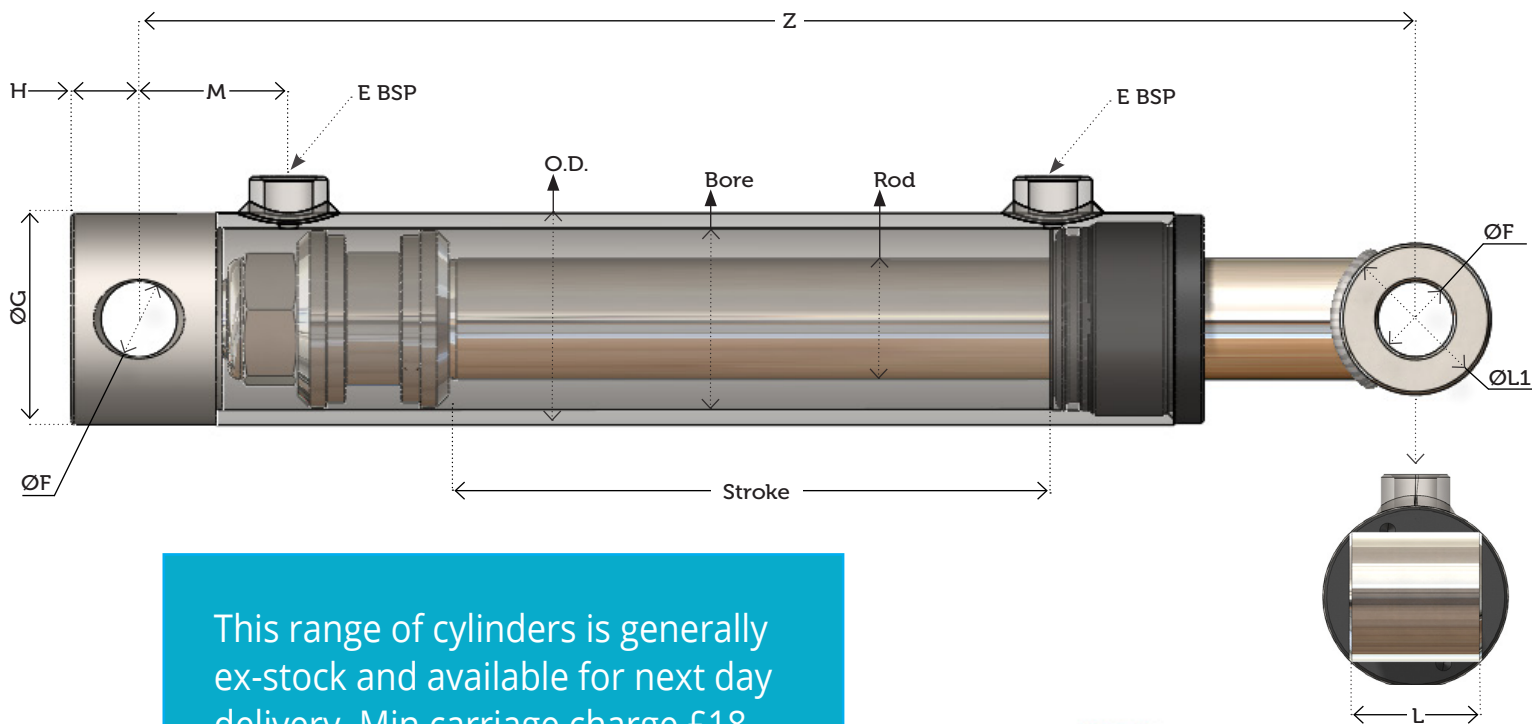
e-mail: sales@interfluid.co.uk

Web: interfluid.co.uk



**STANDARD
STOCK
HYDRAULIC
CYLINDER
RANGE**

STANDARD PIN MOUNT HYDRAULIC CYLINDERS



Maximum working pressure 210 bar.

Test pressure 300 bar unless otherwise stated.

All cylinders can be used as Double Acting OR Single Acting pull / Single Acting push. Cylinders can be supplied with sintered bronze breathers fitted to ports for single acting applications.

Cylinder material: ST52.3 DOM and CDS tube DIN2393 I.S.O. H8 & H9

Rod material: Standard Grade EN8 DIN UNI CK45, Hard Chrome Plated, minimum 25 microns

Data given illustrates standard sizes.

Bespoke manufacturing options are always available, call or email for further details.

**Any
Questions ?**

If you would like more information, technical assistance or to place an order please,
Call us on +44 (0) 1822 833111
or e-mail sales@interfluid.co.uk

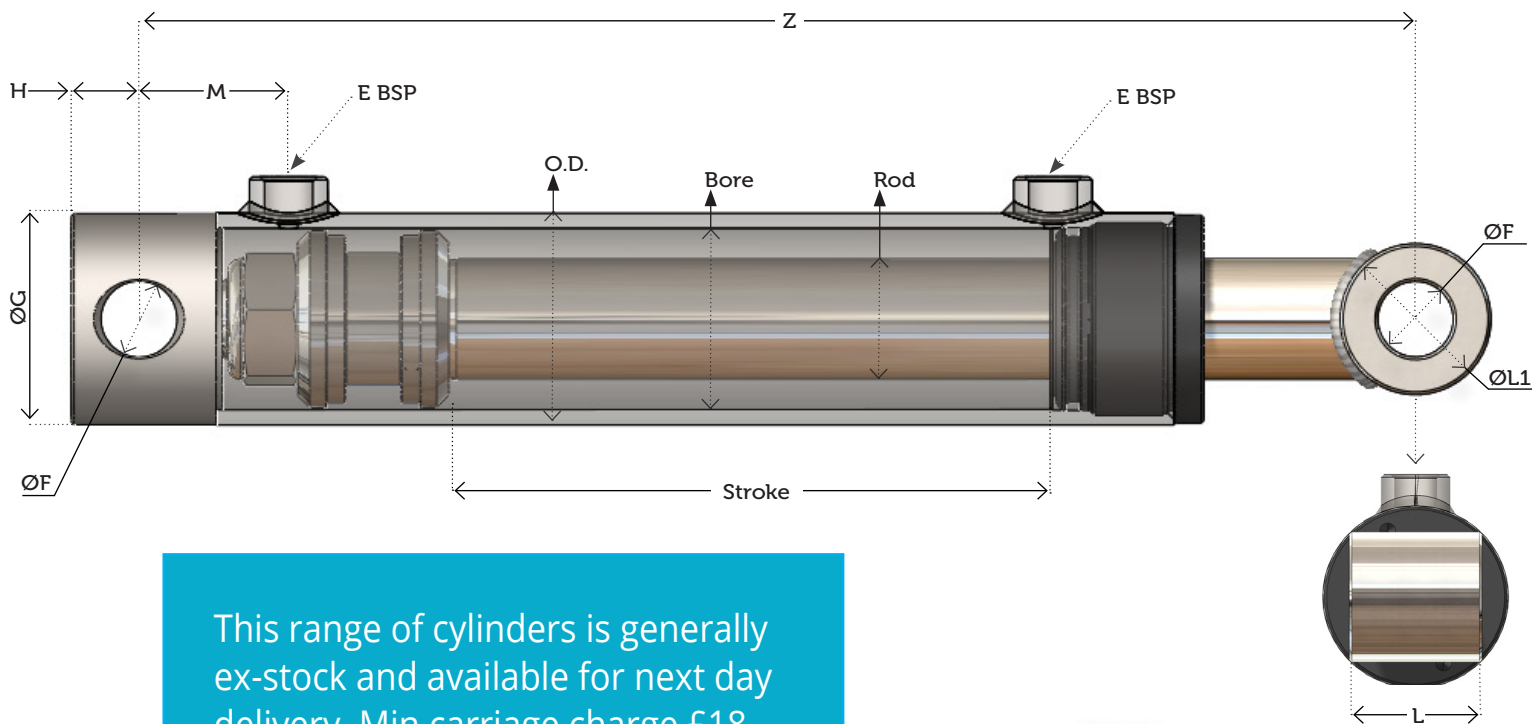
Order Code	Bore	Rod	O.D	Stroke	Z	E	H	M	L	L1	F	G	KG	Price
HFR0160050	25	16	35	50	160	1/4	12	22	25	25	12.1	35	1.00	£74.89
HFR0160100				100	210								1.20	£78.56
HFR0160150				150	260								1.40	£87.93
HFR0160200				200	310								1.70	£90.72
HFR0200050	32	20	42	50	205	1/4	17	35	35	30	16.2	40	1.70	£88.50
HFR0200100				100	255								2.10	£91.95
HFR0200150				150	305								2.40	£94.06
HFR0200200				200	355								2.80	£100.22
HFR0200250				250	405								3.10	£102.66
HFR0200300				300	455								3.50	£105.49
HFR0200400				400	555								4.20	£114.67
HFR0200500				500	655								4.80	£119.88
NFR1250100	40	25	50	100	270	3/8	19	45	40	35	20.25	50	3.00	£100.31
NFR1250150				150	320								3.40	£104.50
NFR1250200				200	370								3.90	£108.73
NFR1250250				250	420								4.40	£112.92
NFR1250300				300	470								4.80	£117.13
NFR1250400				400	570								5.80	£125.54
NFR1250500				500	670								6.70	£133.94
NFR1250600				600	770								7.60	£142.31
NFR1250700				700	870								8.60	£150.74
NFR1250800				800	970								9.50	£159.16
NFR2300100	50	30	60	100	300	3/8	25	58	45	40	25.25	60	4.40	£123.08
NFR2300150				150	350								5.00	£128.39
NFR2300200				200	400								5.60	£133.68
NFR2300250				250	450								6.20	£139.00
NFR2300300				300	500								6.90	£144.30
NFR2300400				400	600								8.10	£154.91
NFR2300500				500	700								9.30	£165.51
NFR2300600				600	800								10.50	£176.16
NFR2300700				700	900								11.80	£186.76
NFR2300800				800	1000								13.00	£197.36
NFR2300900				900	1100								14.20	£207.93
NFR2301000				1000	1200								15.50	£218.58
NFR3300100				60	30								70	100
NFR3300150	150	350	6.30			£146.80								
NFR3300200	200	400	7.00			£152.40								
NFR3300250	250	450	7.70			£158.01								
NFR3300300	300	500	8.30			£163.60								
NFR3300350	350	550	9.00			£169.21								
NFR3300400	400	600	9.70			£174.82								
NFR3300450	450	650	10.40			£180.41								
NFR3300500	500	700	11.00			£186.03								
NFR3300600	600	800	12.40			£197.19								
NFR3300700	700	900	13.70			£208.35								

All data is given in good faith but without responsibility and may be subject to change without notice, all dimensions in mm

**Any
Questions ?**

If you would like more information, technical assistance or to place an order please, Call us on +44 (0) 1822 833111 or e-mail sales@interfluid.co.uk

STANDARD PIN MOUNT HYDRAULIC CYLINDERS



This range of cylinders is generally ex-stock and available for next day delivery. Min carriage charge £18.



Maximum working pressure 210 bar.

Test pressure 300 bar unless otherwise stated.

All cylinders can be used as Double Acting OR Single Acting pull / Single Acting push. Cylinders can be supplied with sintered bronze breathers fitted to ports for single acting applications.

Cylinder material: ST52.3 DOM and CDS tube DIN2393 I.S.O. H8 & H9

Rod material: Standard Grade EN8 DIN UNI CK45, Hard Chrome Plated, minimum 25 microns

Data given illustrates standard sizes.

Bespoke manufacturing options are always available, call or email for further details.

**Any
Questions ?**

If you would like more information, technical assistance or to place an order please,
Call us on +44 (0) 1822 833111
or e-mail sales@interfluid.co.uk

Order Code	Bore	Rod	O.D	Stroke	Z	E	H	M	L	L1	F	G	KG	Price
NFR3350200	60	35	70	200	400	3/8	25	50	45	40	25.25	70	7.50	£158.28
NFR3350300				300	500								9.00	£170.96
NFR3350400				400	600								10.60	£183.69
NFR3350500				500	700								12.10	£196.39
NFR3350600				600	800								13.70	£209.08
NFR3350700				700	900								15.20	£221.83
NFR3350800				800	1000								16.80	£234.53
NFR3350900				900	1100								18.30	£247.24
NFR3351000				1000	1200								19.90	£259.93
NFR4400200				70	40								80	200
NFR4400250	250	460	11.00			£201.15								
NFR4400300	300	510	12.00			£209.17								
NFR4400350	350	560	13.00			£217.27								
NFR4400400	400	610	13.90			£225.29								
NFR4400450	450	660	14.90			£233.39								
NFR4400500	500	710	15.80			£241.42								
NFR4400600	600	810	17.70			£257.48								
NFR4400700	700	910	19.60			£273.56								
NFR4400800	800	1010	21.50			£289.60								
NFR4400900	900	1110	23.40	£305.70										
NFR5400200	80	40	92	200	410	3/8	25	58	55	50	30.25	90	13.00	£238.83
NFR5400250				250	460								14.20	£248.24
NFR5400300				300	510								15.30	£257.63
NFR5400350				350	560								16.40	£267.04
NFR5400400				400	610								17.50	£276.45
NFR5400500				500	710								19.80	£295.22
NFR5400600				600	810								22.00	£313.98
NFR5400700				700	910								24.30	£332.75
NFR5400800				800	1010								26.50	£351.55
NFR5400900				900	1110								28.80	£370.27
NFR5401000	1000	1200	31.00	£389.05										
NFR6500200	100	50	115	200	425	1/2	34	50	70	60	30.25	115	21.50	£340.85
NFR6500300				300	525								25.00	£371.13
NFR6500400				400	625								28.50	£401.40
NFR6500500				500	725								32.00	£431.58
NFR6500700				700	925								39.10	£492.06
NFR6500900				900	1125								46.10	£552.62
NFR6501000				1000	1225								49.60	£582.85

All data is given in good faith but without responsibility and may be subject to change without notice, all dimensions in mm

**Any
Questions ?**

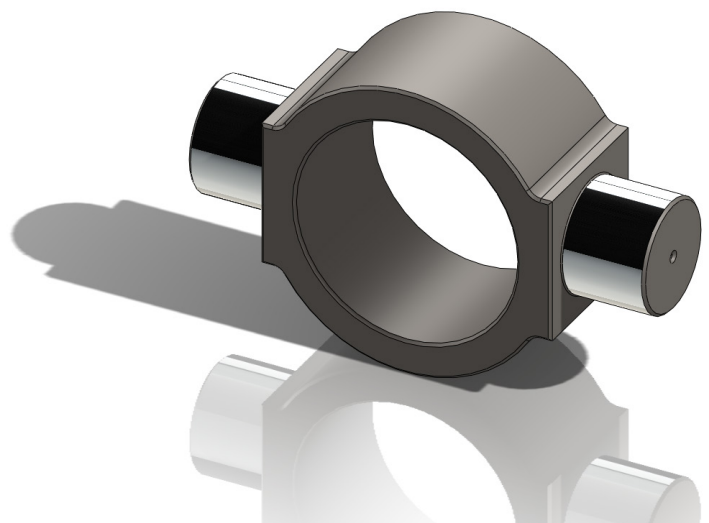
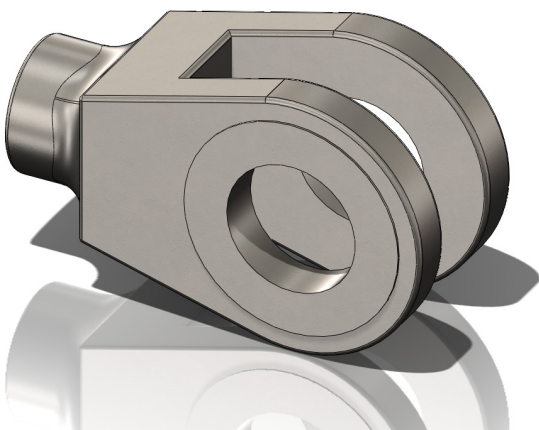
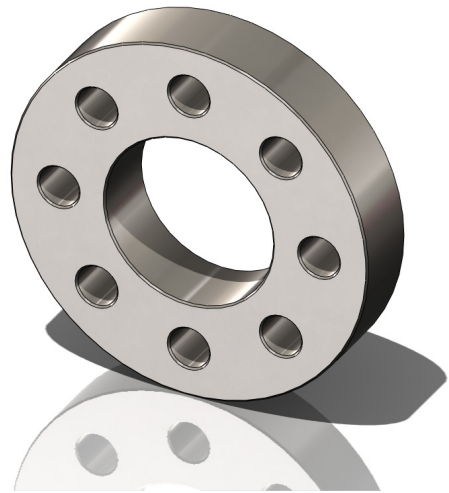
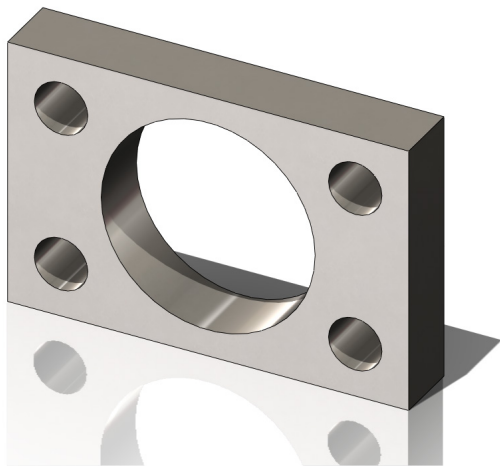
If you would like more information, technical assistance or to place an order please, Call us on +44 (0) 1822 833111 or e-mail sales@interfluid.co.uk

BESPOKE HYDRAULIC CYLINDERS

With our many years of experience in cylinder design and manufacture, and extensive engineering facilities, we can produce cylinders to individual designs, from one-offs to large batches.

We specialise in fast turn-around, cost effective cylinder solutions to O.E.M. Manufacturing, Offshore, Marine & Agricultural industries, amongst many others.

Our design work is done in Solidworks & AutoCAD, and we have the ability to send and accept drawings in most electronic formats.



**Any
Questions ?**

If you would like more information, technical assistance or to place an order please, Call us on +44 (0) 1822 833111 or e-mail sales@interfluid.co.uk

HYDRAULIC CYLINDER FORCES TABLE

Part no	Bore DIA	Rod DIA	Extension Force kg			Retraction Force kg		
			@140 Bar	@170 Bar	@210 Bar	@140 Bar	@170 Bar	@210 Bar
HFR016..	25	16	688	835	1032	406	493	609
HFR020..	32	20	1127	1368	1690	687	834	1030
NFR125..	40	25	1761	2138	2641	1073	1303	1609
NFR230..	50	30	2751	3341	4127	1761	2138	2641
NFR330..	60	30	3961	4810	5942	2971	3608	4457
NFR335..	60	35	3961	4810	5942	2613	3173	3920
NFR440..	70	40	5392	6547	8088	3631	4409	5447
NFR540..	80	40	7043	8552	10564	5282	6414	7923
NFR650..	100	50	11004	13362	16506	8253	10022	12380

All data is given in good faith but without responsibility and may be subject to change without notice, all dimensions in mm

**Any
Questions ?**

If you would like more information, technical assistance or to place an order please,
Call us on +44 (0) 1822 833111
or e-mail sales@interfluid.co.uk