

INTERFLUID HYDRAULICS LTD

Beeching Park
Kelly Bray
Callington
Cornwall
PL17 8QS

Tel: +44 (0) 1822 833111

e-mail: sales@interfluid.co.uk

Web: interfluid.co.uk

2020



**STANDARD
HYDRAULIC
CYLINDER
RANGE**

WELCOME / CONTENTS

Welcome to the Interfluid Hydraulics Ltd standard range of hydraulic cylinders.

This catalogue is designed to give a snapshot of the hydraulic cylinder range available from Interfluid Hydraulics Ltd. It's purpose is to give an idea of standard cylinder dimensions & mounting options for the information of Original Equipment Manufacturers, machinery designers & hydraulic equipment users in general.

Interfluid hydraulics Ltd are bespoke hydraulic cylinder manufacturers specialising in fast delivery, cost-effective hydraulic cylinder solutions in quantities from one-off to batch work. We produce cylinders from 25mm to 250mm bore, with a huge range of mounting options as standard, and the engineering capability to produce any cylinder configuration to suit the needs of the client. We can design for you, or work to your drawings and specifications.

Our standard range of cylinders has a working pressure of 210 bar. Also available is our Heavy Duty range, rated to work at 350 bar, designed to operate in the most arduous of conditions.

Cylinders can be fitted with a range of electronic position sensing devices, from simple proximity sensors signalling extremities of stroke, to internally fitted infinite resolution linear transducers with a variety of output options.

Please feel free to download this catalogue and incorporate our cylinder designs into your machinery. If you do not see exactly what you are looking for please do not hesitate to contact us, our design team are always on hand to assist you in any way possible.

Interfluid Hydraulics Ltd
Beeching Park
Kelly Bray
Callington
Cornwall
PL17 8QS

Tel: +44 (0) 1822 833111
Fax: +44 (0) 1822 833397
Email: sales@interfluid.co.uk
Web: interfluid.co.uk

Download



Scan the code above

CATALOGUE / CONTENTS

Welcome and catalogue contents [page 1 - 2](#)

Welded Spherical Bearing Mounted Cylinders [page 2 - 3](#)

Threaded Spherical Bearing Mounted Cylinders [page 3 - 4](#)

Front Flange mounted Cylinders [page 4 - 5](#)

Rear Clevis Mounted cylinders [page 5 - 6](#)

Rear Pin Mounted cylinders [page 6 - 7](#)

Forked Clevis mounted Cylinders [page 7 - 8](#)

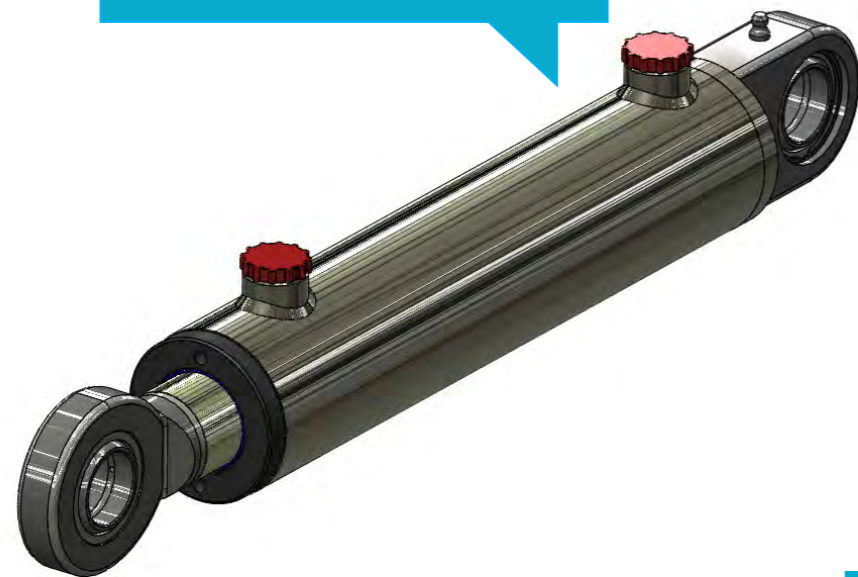
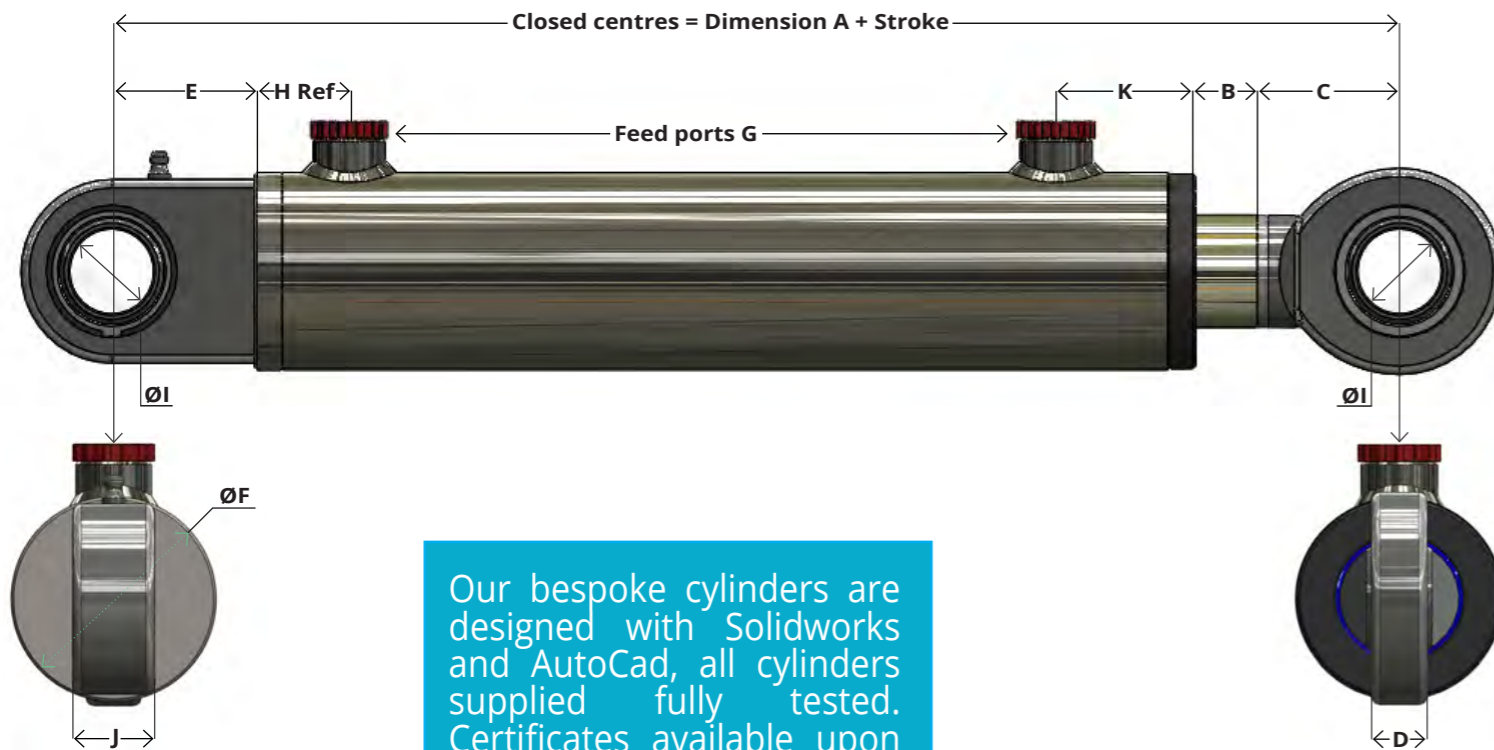
Alternative Mountings & hydraulic cylinder forces table [page 8 - 9](#)

**Any
Questions ?**

If you would like more information, technical assistance or to place an order please, Call us on +44 (0) 1822 833111 or e-mail sales@interfluid.co.uk

WELDED SPHERICAL BEARING MOUNTED CYLINDERS

A range of cylinders mounted on self-aligning spherical bearings, welded to the rear of the cylinder body and rod-end. Suitable for cylinders with Carbon Steel rod material. These cylinders are made to order on short lead times and can be manufactured up to 5m stroke (customer to specify stroke length).



STANDARD CYLINDER DIMENSIONS Can be altered to suit your exact specifications.

Bore DIA	Rod DIA	A	B	C	D	E	F	G	H	I	J	K
40	20	206	22	38	16	38	50	1/4" BSP	28	20	19	40
	25											
50	25	230	22	45	20	45	60	3/8" BSP	28	25	23	43
	30											
	35											
60	30	261	22	51	22	51	70	3/8" BSP	32	30	28	50
	35											
	40											
63	30	261	22	51	22	51	73	3/8" BSP	32	30	28	50
	35											
	40											
70	35	264	25	51	22	51	80	3/8" BSP	32	30	28	50
	40											
	50											
80	40	302	25	61	25	61	95	1/2" BSP	35	35	30	60
	50											
	60											
100	40	351	28	69	28	69	115	1/2" BSP	35	40	35	82
	50											
	60											
	70											

Maximum working pressure 210 bar.
 Test pressure 300 bar unless otherwise stated.
 All cylinders can be used as Double Acting OR Single Acting pull / Single Acting push. Cylinders can be supplied with sintered bronze breathers fitted to ports for single acting applications.
 Cylinder material: ST52.3 DOM and CDS tube DIN2393 I.S.O. H8 & H9.
 Rod material: Standard Grade EN8 DIN UNI CK45, Hard Chrome Plated, minimum 25 microns
 Alternative rod materials available: Chrome plated Stainless Steel grades 431S29T / 316 / 304; NIKROM 350.
 Headbush material: Cast Iron - UNI5007-G25 unless otherwise stated.
 Bore diameters available from 25mm to 250mm.
 350 bar Heavy Duty range of cylinders and alternative rod and bore combinations available.
 Data given illustrates standard sizes.
 Bespoke manufacturing options are always available, call or email for further details.
 All data is given in good faith but without responsibility and may be subject to change without notice, all dimensions in mm.

Interfluid Hydraulics Ltd
 Beeching Park
 Kelly Bray
 Callington
 Cornwall
 PL17 8QS

Tel: +44 (0) 1822 833111
 Fax: +44 (0) 1822 833397
 Email: sales@interfluid.co.uk
 Web: interfluid.co.uk

Download



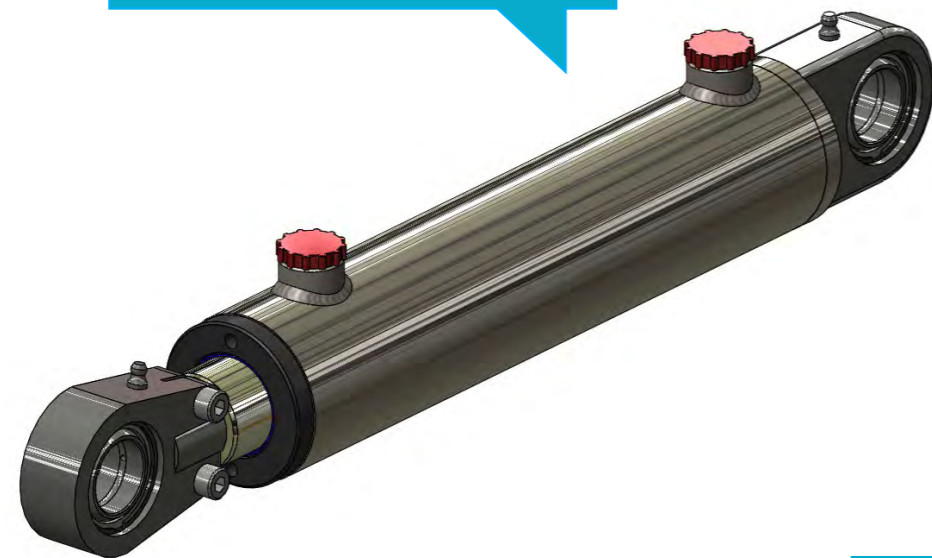
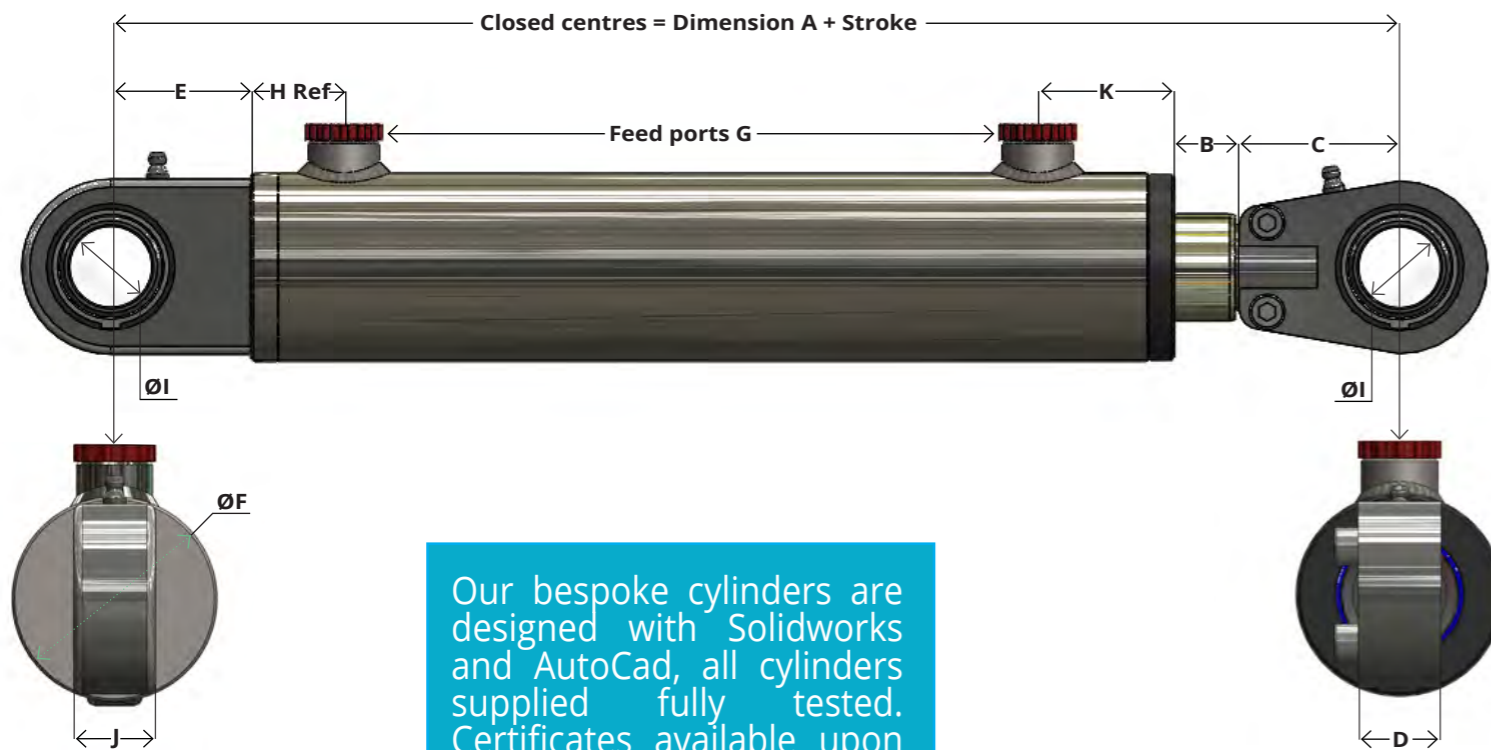
Scan the code above

Any Questions ?

If you would like more information, technical assistance or to place an order please, Call us on +44 (0) 1822 833111 or e-mail sales@interfluid.co.uk

THREADED SPHERICAL BEARING MOUNTED CYLINDERS

A range of cylinders mounted on self-aligning spherical bearings, welded to the rear of the cylinder body, threaded at the rod-end. Suitable for cylinders with Carbon Steel and Stainless Steel rod material. These cylinders are made to order on short lead times and can be manufactured up to 5m stroke, (customer to specify stroke length).



STANDARD CYLINDER DIMENSIONS Can be altered to suit your exact specifications.

Bore DIA	Rod DIA	A	B	C	D	E	F	G	H	I	J	K
40	20	216	20	50	19	38	50	1/4" BSP	28	20	19	40
	25											
50	25	235	22	50	23	45	60	3/8" BSP	28	25	23	43
	30											
	35											
60	30	273	25	60	28	51	70	3/8" BSP	32	30	28	50
	35											
	40											
63	30	273	25	60	28	51	73	3/8" BSP	32	30	28	50
	35											
	40											
70	35	273	30	60	28	51	80	3/8" BSP	32	30	28	50
	40											
	50											
80	40	321	35	70	30	61	95	1/2" BSP	35	35	30	60
	50											
	60											
100	40	379	40	85	35	69	115	1/2" BSP	35	40	35	82
	50											
	60											
	70											

Maximum working pressure 210 bar.
 Test pressure 300 bar unless otherwise stated.
 All cylinders can be used as Double Acting OR Single Acting pull / Single Acting push. Cylinders can be supplied with sintered bronze breathers fitted to ports for single acting applications.
 Cylinder material: ST52.3 DOM and CDS tube DIN2393 I.S.O. H8 & H9.
 Rod material: Standard Grade EN8 DIN UNI CK45, Hard Chrome Plated, minimum 25 microns
 Alternative rod materials available: Chrome plated Stainless Steel grades 431S29T / 316 / 304; NIKROM 350.
 Headbush material: Cast Iron - UNI5007-G25 unless otherwise stated.
 Bore diameters available from 25mm to 250mm.
 350 bar Heavy Duty range of cylinders and alternative rod and bore combinations available.
 Data given illustrates standard sizes.
 Bespoke manufacturing options are always available, call or email for further details.
 All data is given in good faith but without responsibility and may be subject to change without notice, all dimensions in mm

Interfluid Hydraulics Ltd
 Beeching Park
 Kelly Bray
 Callington
 Cornwall
 PL17 8QS

Tel: +44 (0) 1822 833111
 Fax: +44 (0) 1822 833397
 Email: sales@interfluid.co.uk
 Web: interfluid.co.uk

Download



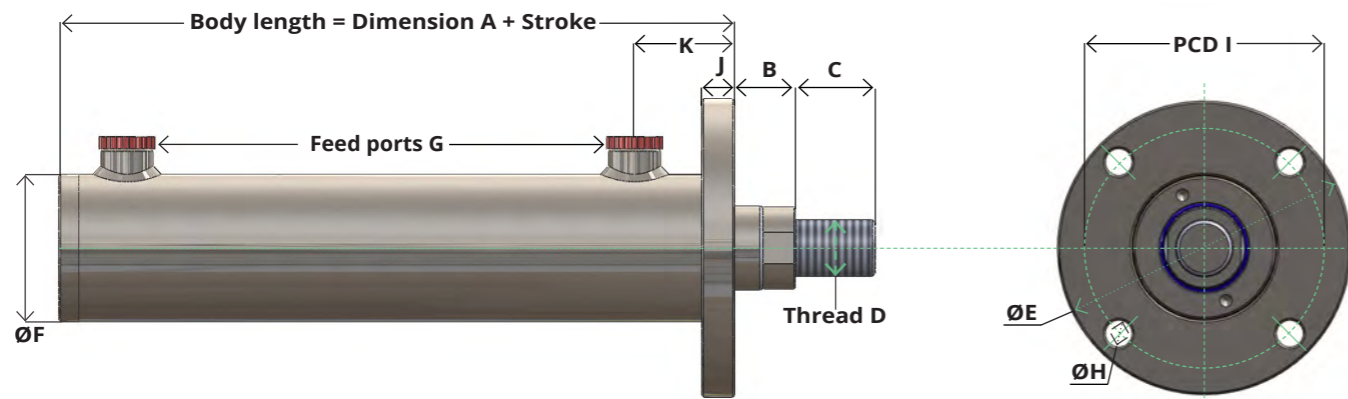
Scan the code above

Any Questions ?

If you would like more information, technical assistance or to place an order please, Call us on +44 (0) 1822 833111 or e-mail sales@interfluid.co.uk

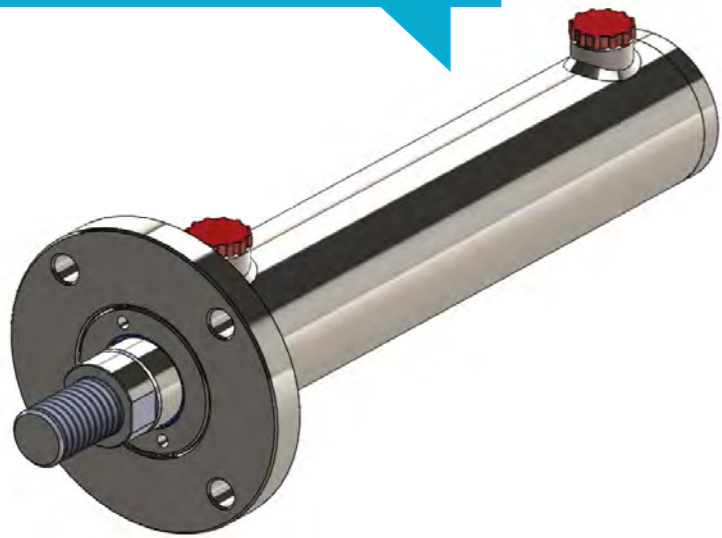
FRONT FLANGE MOUNTED CYLINDERS

A range of cylinders mounted on a circular front flange, with a male threaded rod-end. These cylinders are made to order on short lead times and can be manufactured up to 5m stroke (customer to specify stroke length).
Bespoke flanges can be manufactured and mounted to custom specifications.



Front Flange 40 - 70 bore 4 holes ØH on PCD I
Front Flange 80 - 100 bore 6 holes ØH on PCD I

Our bespoke cylinders are designed with Solidworks and AutoCad, all cylinders supplied fully tested. Certificates available upon request



STANDARD CYLINDER DIMENSIONS Can be altered to suit your exact specifications.

Bore DIA	Rod DIA	A	B	C	D	E	F	G	H	I	J	K
40	20	108	25	25	M16X1.5	109	50	1/4" BSP	11	87	12.5	40
	25											
50	25	118	30	25	M16X1.5	128	60	3/8" BSP	13	105	14.5	43
	30			30	M20X1.5							
	35											
60	30	137	30	30	M20X1.5	142	70	3/8" BSP	13	117	16.5	50
	35			35	M24X2.0							
	40			40	M27X2.0							
63	30	137	30	30	M20X1.5	142	73	3/8" BSP	13	117	16.5	50
	35			35	M24X2.0							
	40			40	M27X2.0							
70	35	143	35	30	M24X2.0	162	80	3/8" BSP	15	127	16.5	50
	40			40	M27X2.0							
	50											
80	40	163	35	40	M27X2.0	181	95	1/2" BSP	17	149	18.5	60
	50			45	M33X2.0							
	60											
100	40	187	40	40	M27X2.0	194	115	1/2" BSP	17	162	24.5	82
	50			45	M33X2.0							
	60	192	50	50	M39X3.0							
	70											

Maximum working pressure 210 bar.

Test pressure 300 bar unless otherwise stated.

All cylinders can be used as Double Acting OR Single Acting pull / Single Acting push. Cylinders can be supplied with sintered bronze breathers fitted to ports for single acting applications.

Cylinder material: ST52.3 DOM and CDS tube DIN2393 I.S.O. H8 & H9.

Rod material: Standard Grade EN8 DIN UNI CK45, Hard Chrome Plated, minimum 25 microns. Alternative rod materials available: Chrome plated Stainless Steel grades 431S29T / 316 / 304; NIKROM 350.

Headbush material: Cast Iron - UNI5007-G25 unless otherwise stated.

Bore diameters available from 25mm to 250mm.

350 bar Heavy Duty range of cylinders and alternative rod and bore combinations available.

Data given illustrates standard sizes. Bespoke manufacturing options are always available, call or email for further details.

All data is given in good faith but without responsibility and may be subject to change without notice, all dimensions in mm.

Interfluid Hydraulics Ltd
Beeching Park
Kelly Bray
Callington
Cornwall
PL17 8QS

Tel: +44 (0) 1822 833111
Fax: +44 (0) 1822 833397
Email: sales@interfluid.co.uk
Web: interfluid.co.uk

Download



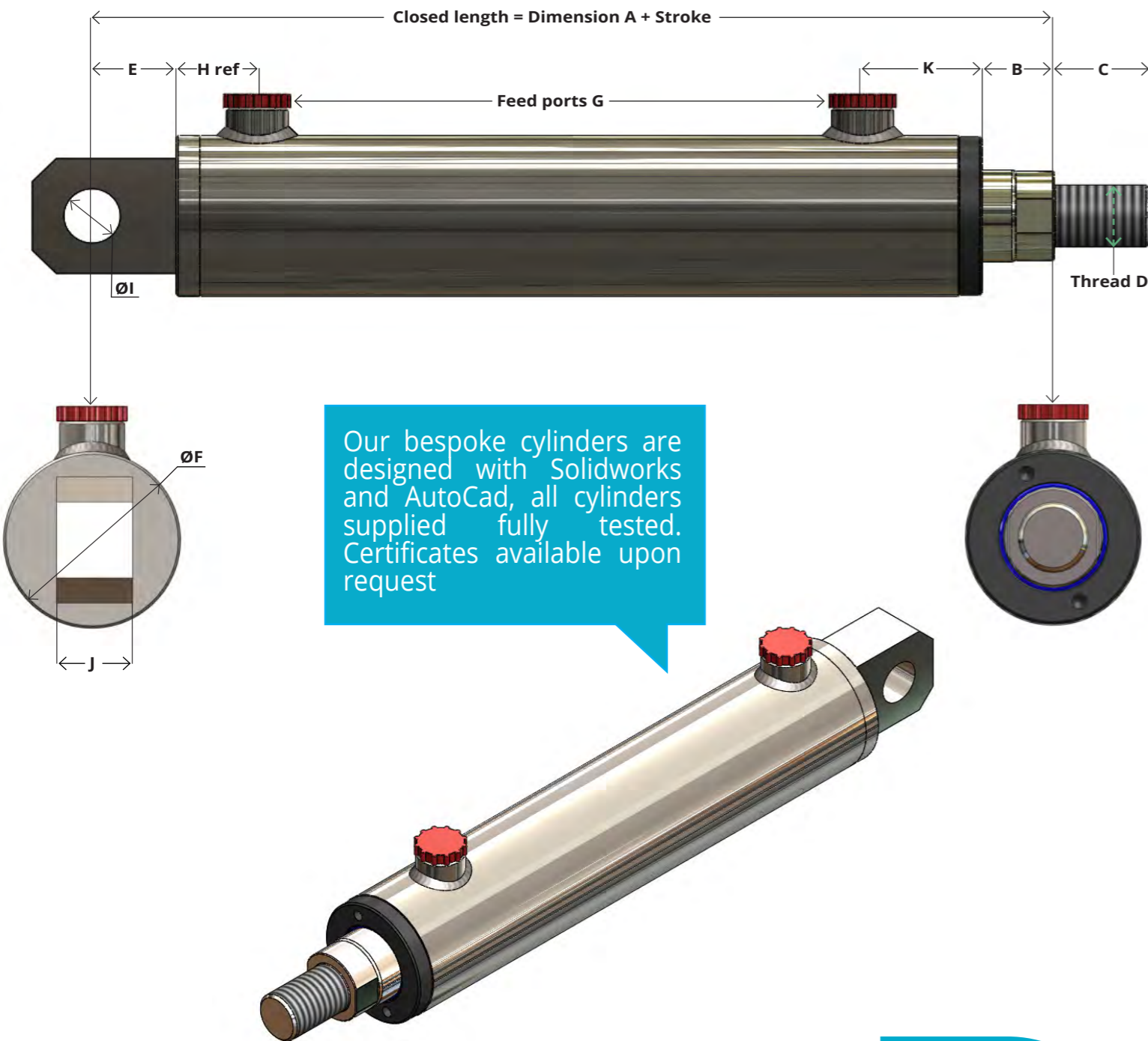
Scan the code above

Any Questions ?

If you would like more information, technical assistance or to place an order please, Call us on +44 (0) 1822 833111 or e-mail sales@interfluid.co.uk

REAR CLEVIS MOUNTED CYLINDERS

A range of cylinders mounted on a welded rear male clevis (sometimes called a Pad-eye), with a male threaded rod-end. These cylinders are made to order on short lead times and can be manufactured up to 5m stroke (customer to specify stroke length).



STANDARD CYLINDER DIMENSIONS

Can be altered to suit your exact specifications.

Bore DIA	Rod DIA	A	B	C	D	E	F	G	H	I	J	K
40	20	158	25	25	M16X1.5	25	50	1/4" BSP	28	16.20	20	40
	25											
50	25	178	30	25	M16X1.5	30	60	3/8" BSP	30	20.25	25	43
	30			30	M20X1.5							
	35											
60	30	202	30	30	M20X1.5	35	70	3/8" BSP	32	25.25	30	50
	35			35	M24X2.0							
	40			40	M27X2.0							
63	30	202	30	30	M20X1.5	35	73	3/8" BSP	32	25.25	30	50
	35			35	M24X2.0							
	40			40	M27X2.0							
70	35	207	35	30	M24X2.0	35	80	3/8" BSP	35	25.25	30	50
	40			40	M27X2.0							
	50											
80	40	235	35	40	M27X2.0	45	95	1/2" BSP	38	30.25	35	60
	50			45	M33X2.0							
	60											
100	40	267	40	40	M27X2.0	55	115	1/2" BSP	38	35.25	40	82
	50	280		45	M33X2.0							
	60											
	70			50	M39X2.0							

Maximum working pressure 210 bar.
 Test pressure 300 bar unless otherwise stated.
 All cylinders can be used as Double Acting OR Single Acting pull / Single Acting push. Cylinders can be supplied with sintered bronze breathers fitted to ports for single acting applications.
 Cylinder material: ST52.3 DOM and CDS tube DIN2393 I.S.O. H8 & H9.
 Rod material: Standard Grade EN8 DIN UNI CK45, Hard Chrome Plated, minimum 25 microns. Alternative rod materials available: Chrome plated Stainless Steel grades 431S29T / 316 / 304; NIKROM 350
 Headbush material: Cast Iron - UNI5007-G25 unless otherwise stated.
 Bore diameters available from 25mm to 250mm.
 350 bar Heavy Duty range of cylinders and alternative rod and bore combinations available.
 Data given illustrates standard sizes.
 Bespoke manufacturing options are always available, call or email for further details.
 All data is given in good faith but without responsibility and may be subject to change without notice, all dimensions in mm

Interfluid Hydraulics Ltd
 Beeching Park
 Kelly Bray
 Callington
 Cornwall
 PL17 8QS

Tel: +44 (0) 1822 833111
 Fax: +44 (0) 1822 833397
 Email: sales@interfluid.co.uk
 Web: interfluid.co.uk

Download



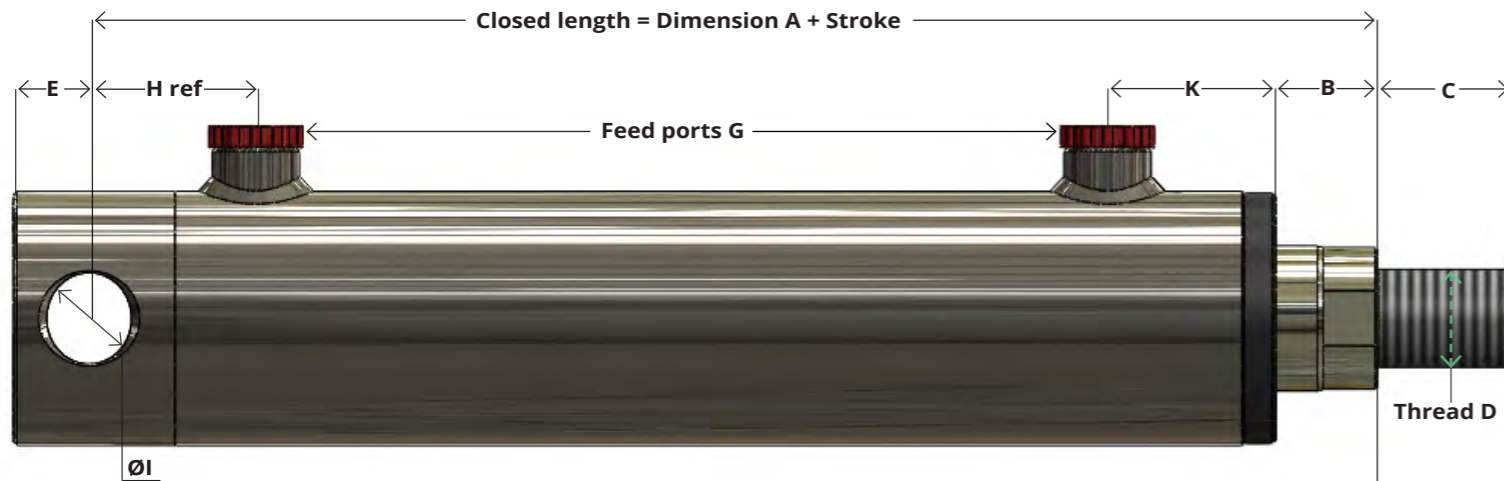
Scan the code above

Any Questions ?

If you would like more information, technical assistance or to place an order please, Call us on +44 (0) 1822 833111 or e-mail sales@interfluid.co.uk

REAR PIN MOUNTED CYLINDERS

A range of cylinders mounted on a simple pin hole to the rear, with a male threaded rod-end. These cylinders are made to order on short lead times and can be manufactured up to 5m stroke (customer to specify stroke length).



Our bespoke cylinders are designed with Solidworks and AutoCad, all cylinders supplied fully tested. Certificates available upon request



STANDARD CYLINDER DIMENSIONS Can be altered to suit your exact specifications.

Bore DIA	Rod DIA	A	B	C	D	E	F	G	H	I	K
40	20	143	25	25	M16X1.5	15	50	1/4" BSP	35	16.20	40
	25										
50	25	163	30	25	M16X1.5	20	60	3/8" BSP	45	20.25	43
	30			30	M20X1.5						
	35										
60	30	182.5	30	30	M20X1.5	22.5	70	3/8" BSP	48	25.25	50
	35			35	M24X2.0						
	40			40	M27X2.0						
63	30	182.5	30	30	M20X1.5	22.5	70	3/8" BSP	48	25.25	50
	35			35	M24X2.0						
	40			40	M27X2.0						
70	35	187.5	35	35	M24X2.0	22.5	80	3/8" BSP	48	25.25	50
	40			40	M27X2.0						
	50										
80	40	213	35	40	M27X2.0	25	95	1/2" BSP	55	30.25	60
	50			45	M33X2.0						
	60										
100	40	245	40	40	M27X2.0	30	115	1/2" BSP	65	35.25	82
	50			45	M33X2.0						
	60	250		50	M39X2.0						
	70										

Maximum working pressure 210 bar.

Test pressure 300 bar unless otherwise stated.

All cylinders can be used as Double Acting OR Single Acting pull / Single Acting push. Cylinders can be supplied with sintered bronze breathers fitted to ports for single acting applications.

Cylinder material: ST52.3 DOM and CDS tube DIN2393 I.S.O. H8 & H9.

Rod material: Standard Grade EN8 DIN UNI CK45, Hard Chrome Plated, minimum 25 microns. Alternative rod materials available: Chrome plated Stainless Steel grades 431S29T / 316 / 304; NIKROM 350.

Headbush material: Cast Iron - UNI5007-G25 unless otherwise stated.

Bore diameters available from 25mm to 250mm.

350 bar Heavy Duty range of cylinders and alternative rod and bore combinations available.

Data given illustrates standard sizes.

Bespoke manufacturing options are always available, call or email for further details.

All data is given in good faith but without responsibility and may be subject to change without notice, all dimensions in mm

Download



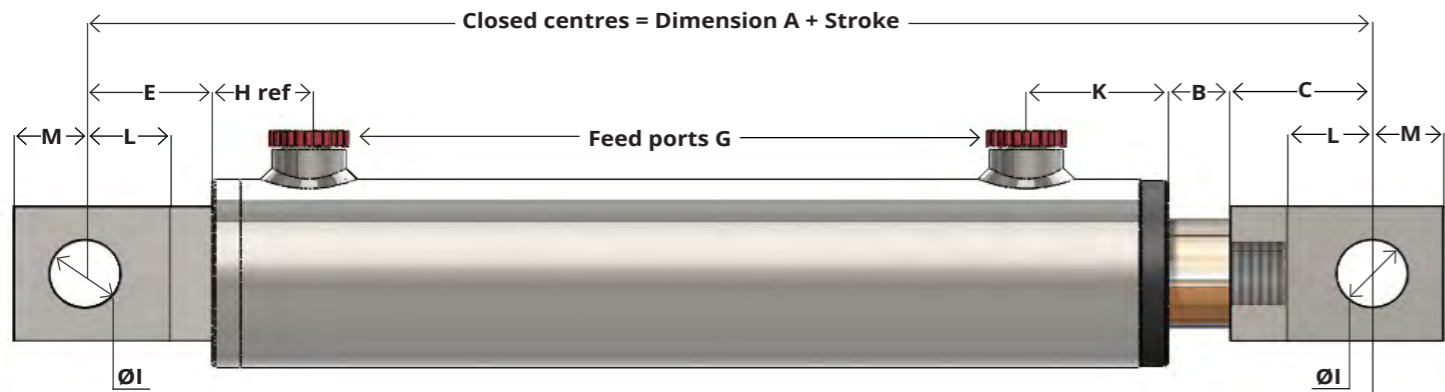
Scan the code above

Any Questions ?

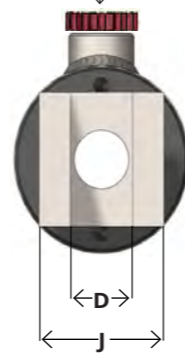
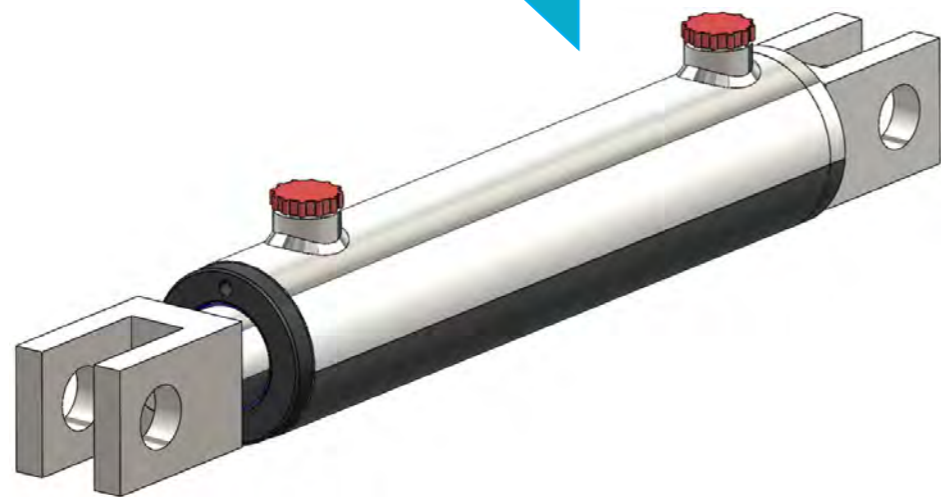
If you would like more information, technical assistance or to place an order please, Call us on +44 (0) 1822 833111 or e-mail sales@interfluid.co.uk

FORKED CLEVIS MOUNTED CYLINDERS

A range of cylinders mounted on forked clevises, welded to the rear, threaded at the rod-end. These cylinders are made to order on short lead times and can be manufactured up to 5m stroke (customer to specify stroke length).



Our bespoke cylinders are designed with Solidworks and AutoCad, all cylinders supplied fully tested. Certificates available upon request



STANDARD CYLINDER DIMENSIONS Can be altered to suit your exact specifications.

Bore DIA	R o d DIA	A	B	C	D	E	F	G	H	I	J	K	L	M
40	20	201	20	39	16	34	50	1/4" BSP	28	16.2	35	40	24	16
	25													
50	25	225	22	45	20	40	60	3/8" BSP	28	20.25	40	43	30	20
	30													
	35													
60	30	257	25	50	25	45	70	3/8" BSP	32	25.25	50	50	30	25
	35													
	40													
63	30	257	25	50	25	45	73	3/8" BSP	32	25.25	50	50	30	25
	35													
	40													
70	35	282	30	65	30	50	80	3/8" BSP	32	30.25	60	50	35	30
	40													
	50													
80	40	320	35	75	35	55	95	1/2" BSP	35	35.25	70	60	40	35
	50													
	60													
100	40	355	40	75	35	55	115	1/2" BSP	35	35.25	70	82	40	35
	50													
	60													
	70													

Maximum working pressure 210 bar.
 Test pressure 300 bar unless otherwise stated.
 All cylinders can be used as Double Acting OR Single Acting pull / Single Acting push. Cylinders can be supplied with sintered bronze breathers fitted to ports for single acting applications.
 Cylinder material: ST52.3 DOM and CDS tube DIN2393 I.S.O. H8 & H9.
 Rod material: Standard Grade EN8 DIN UNI CK45, Hard Chrome Plated, minimum 25 microns. Alternative rod materials available: Chrome plated Stainless Steel grades 431S29T / 316 / 304; NIKROM 350.
 Headbush material: Cast Iron - UNI5007-G25 unless otherwise stated.
 Bore diameters available from 25mm to 250mm.
 350 bar Heavy Duty range of cylinders and alternative rod and bore combinations available.
 Data given illustrates standard sizes.
 Bespoke manufacturing options are always available, call or email for further details.
 All data is given in good faith but without responsibility and may be subject to change without notice, all dimensions in mm

Interfluid Hydraulics Ltd
 Beeching Park
 Kelly Bray
 Callington
 Cornwall
 PL17 8QS

Tel: +44 (0) 1822 833111
 Fax: +44 (0) 1822 833397
 Email: sales@interfluid.co.uk
 Web: interfluid.co.uk

Download



Scan the code above

Any Questions ?

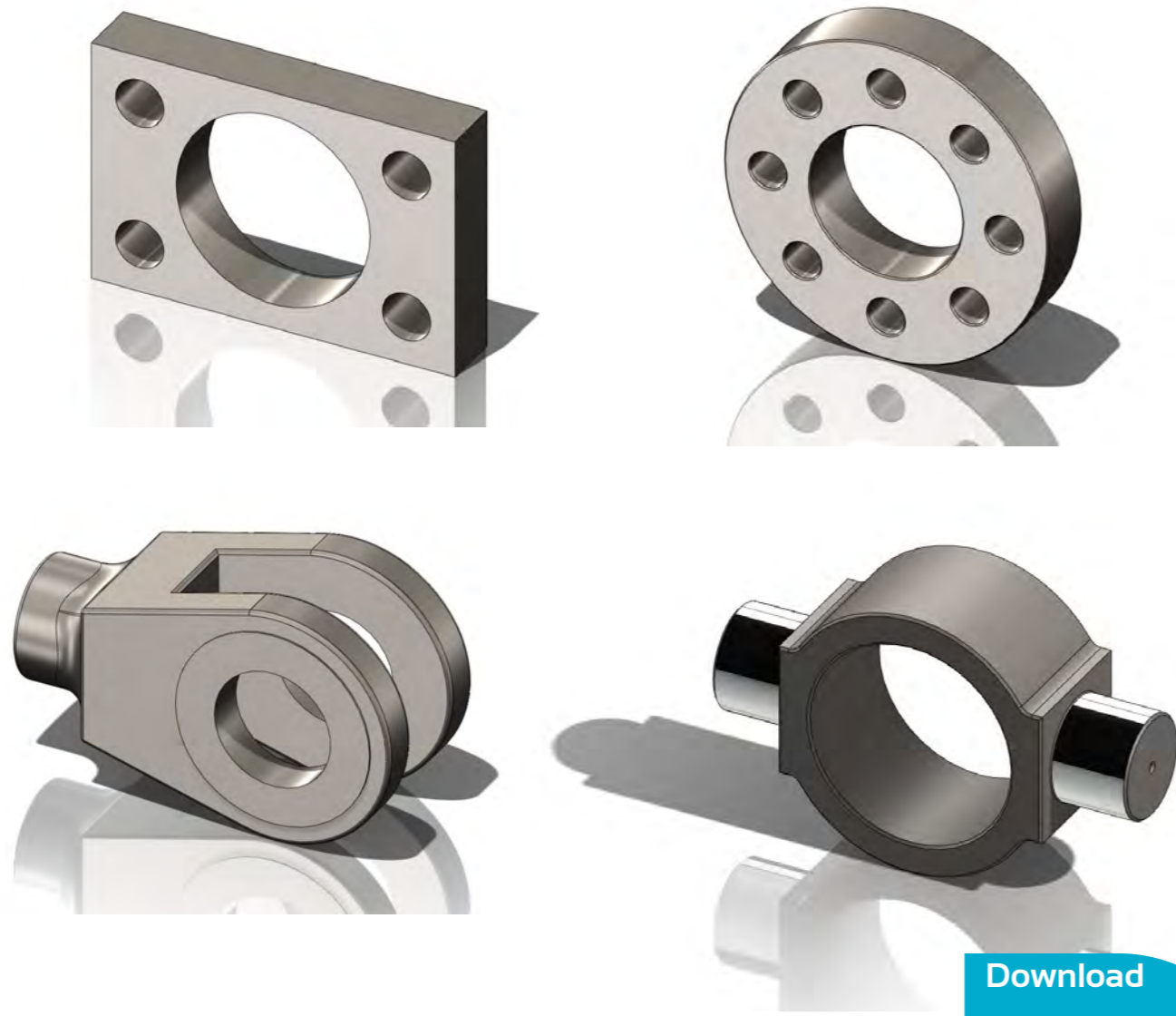
If you would like more information, technical assistance or to place an order please, Call us on +44 (0) 1822 833111 or e-mail sales@interfluid.co.uk

BESPOKE CYLINDER MANUFACTURING

With our many years of experience in cylinder design and manufacture, and extensive engineering facilities, we can produce cylinders to individual designs, from one-offs to large batches.

We specialise in fast turn-around, cost effective cylinder solutions to O.E.M. Manufacturing, Offshore, Marine & Agricultural industries, amongst many others.

Our design work is done in Solidworks & AutoCAD, and we have the ability to send and accept drawings in most electronic formats.



HYDRAULIC CYLINDER FORCES TABLE

Bore DIA	Rod DIA	Extension Force kg			Retraction Force kg		
		@140 Bar	@170 Bar	@210 Bar	@140 Bar	@170 Bar	@210 Bar
40	20	1761	2138	2641	1320	1603	1981
40	25	1761	2138	2641	1073	1303	1609
50	25	2751	3341	4127	2063	2505	3095
50	30	2751	3341	4127	1761	2138	2641
50	35	2751	3341	4127	1403	1704	2105
60	30	3961	4810	5942	2971	3608	4457
60	35	3961	4810	5942	2613	3173	3920
60	40	3961	4810	5942	2201	2672	3301
63	35	4367	5303	6551	3019	3667	4529
63	40	4367	5303	6551	2607	3165	3910
63	50	4367	5303	6551	1616	1963	2425
70	35	5392	6547	8088	4044	4911	6066
70	40	5392	6547	8088	3631	4409	5447
70	50	5392	6547	8088	2641	3207	3961
80	40	7043	8552	10564	5282	6414	7923
80	50	7043	8552	10564	4292	5211	6437
80	60	7043	8552	10564	3081	3741	4622
100	40	11004	13362	16506	9243	11224	13865
100	50	11004	13362	16506	8253	10022	12380
100	60	11004	13362	16506	7043	8552	10564
100	70	11004	13362	16506	5612	6815	8418

All data is given in good faith but without responsibility and may be subject to change without notice, all dimensions in mm

Interfluid Hydraulics Ltd
Beeching Park
Kelly Bray
Callington
Cornwall
PL17 8QS

Tel: +44 (0) 1822 833111
Fax: +44 (0) 1822 833397
Email: sales@interfluid.co.uk
Web: interfluid.co.uk

Download



Scan the code above

Any Questions ?

If you would like more information, technical assistance or to place an order please, Call us on +44 (0) 1822 833111 or e-mail sales@interfluid.co.uk