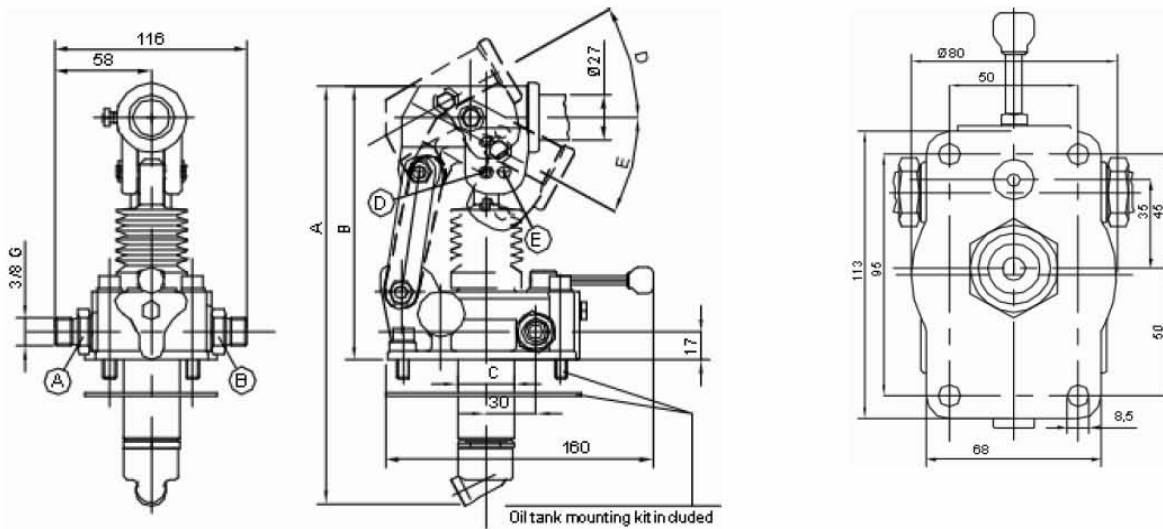


DOUBLE ACTING HANDPUMPS HPMR



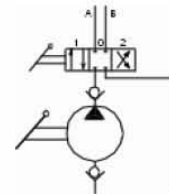
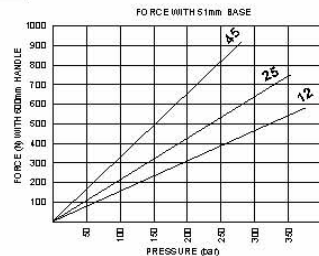
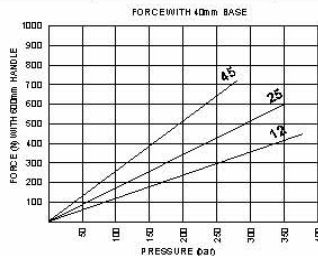
Type	Displacement	Work Pressure	Max Pressure	Weight kg	A (mm)	B (mm)	C (mm)	D (°)	E (°)
HPMR12	12 cm ³	320 bar	380 bar	4.2 kg	253	166	34	26	31
HPMR25	25 cm ³	280 bar	350 bar		273	172	34	30	30
HPMR45	45 cm ³	220 bar	280 bar		283	172	40	45	33

Description

The HPMR Series of Hand Pumps are double stroke and can be flange mounted directly onto a tank. A Double acting Lever is fitted as standard and a relief valve is available as an option. A 0.6 metre lever is handle is included as standard with hand grip.

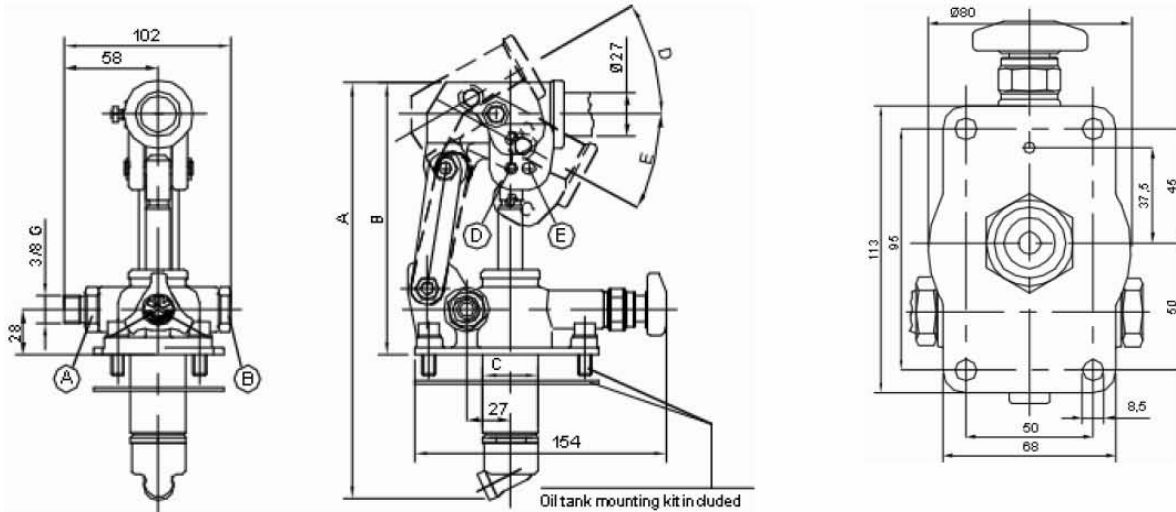
Technical data

Max Pressure	See chart	Recommended Filtration	100 micron minimum
Ambient Temperature	-15 to +70°C	Weight	See chart
Recommended Oil	Hydraulic Mineral Oil ISO 6743/4 DIN 51519 Viscosity ISO3448		



Series	Size	No,	Version	No,	Rod Gaiter	No,	Relief	No,
HPMR	45		00		S		VM	
	12cm ³	12	With D.A Lever	00	With Gaiter	S	With	VM
	25cm ³	25			Without Gaiter	blank	Without	blank
	45cm ³	45						

SINGLE ACTING HANDPUMPS HPMU



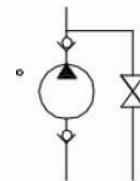
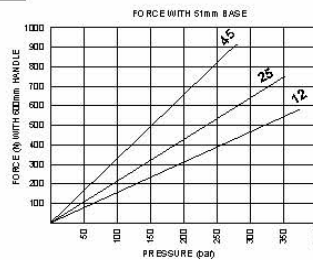
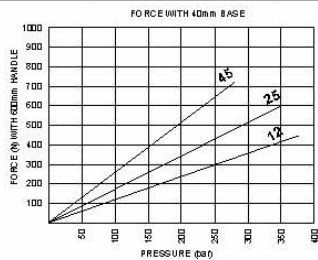
Type	Displacement	Work Pressure	Max Pressure	Weight kg	A (mm)	B (mm)	C (mm)	D (°)	E (°)
HPMU12	12 cm ³	320 bar	380 bar	2.95 kg	253	166	34	26	31
HPMU25	25 cm ³	280 bar	350 bar		273	172	34	30	30
HPMU45	45 cm ³	220 bar	280 bar		283	172	40	45	33

Description

The HPMU Series of Hand Pumps are double stroke and can be flange mounted directly onto a tank. Designed to operate a single acting cylinder, an unloading valve is optional. A 0.6 metre lever is handle is included as standard with hand grip.

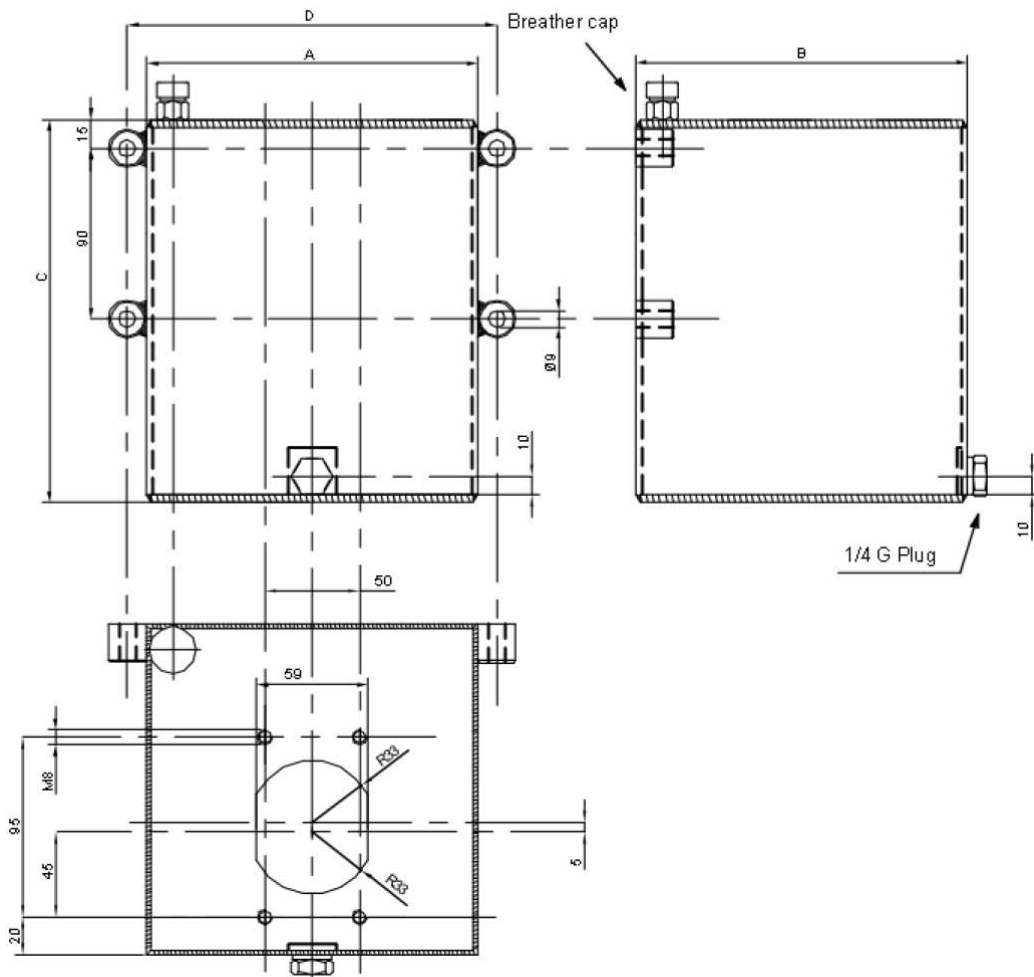
Technical data

Max Pressure	See chart	Recommended Filtration	100 micron minimum
Ambient Temperature	-15 to +70°C	Weight	See chart
Recommended Oil	Hydraulic Mineral Oil ISO 6743/4 DIN 51519 Viscosity ISO3448		



Series	Size	No,	Version	No,	Rod Gaiter	No,	Relief	No,
HPMU	45		01		S		VM	
	12cm ³	12	Without Unload	00	With Gaiter	S	With	VM
	25cm ³	25	With Unload	01	Without Gaiter	blank	Without	blank
	45cm ³	45						

HANDPUMP RESERVOIRS



Type	Capacity Litres	C	B	D	A	Weight kg
RP 408.01	1	120	150	120	100	2.2
RP 408.02	2	185				3
RP 408.03	3	255				3.7
RP 408.05	5	200	175	195	175	5.3
RP 408.07	7	275				6.6
RP 408.10	10	380				8.3

Description

This series of Hand pump tanks are suitable for Hand Pumps HPMR and HPMU. Constructed from 3mm Steel these tanks are very robust and can be bulkhead mounted using 4 off M8 bolts. Pre-drilled to accept the HPM hand pumps. Mounting for Vertical or Horizontal orientation. Black powder coated finish.

Complete with a Filler and drain plug and available in capacities up to 10 litres as standard.



Units 2&3, Greenhill Works
Delaware Rd
Gunnislake
Cornwall PL18 9AS
Tel: 01822 833111
Fax: 01822 833397
keith@interfluid.co.uk

HANDPUMP & TANK PRICES 2017/18

Hand Pumps

Part No.	Price
HPMU12	£84.75
HPMU25	£87.55
HPMU45	£90.34
HPMR12	£99.99
HPMR25	£102.82
HPMR45	£105.63

Tanks

Part No.	Price
RP408.01	£34.16
RP408.02	£36.94
RP408.03	£39.98
RP408.05	£50.60
RP408.07	£54.91
RP408.10	£60.72

Handpumps are supplied with handle with rubber grip plus fitting kit to attach to reservoir, including seal. All prices are quoted as net, ex-works.