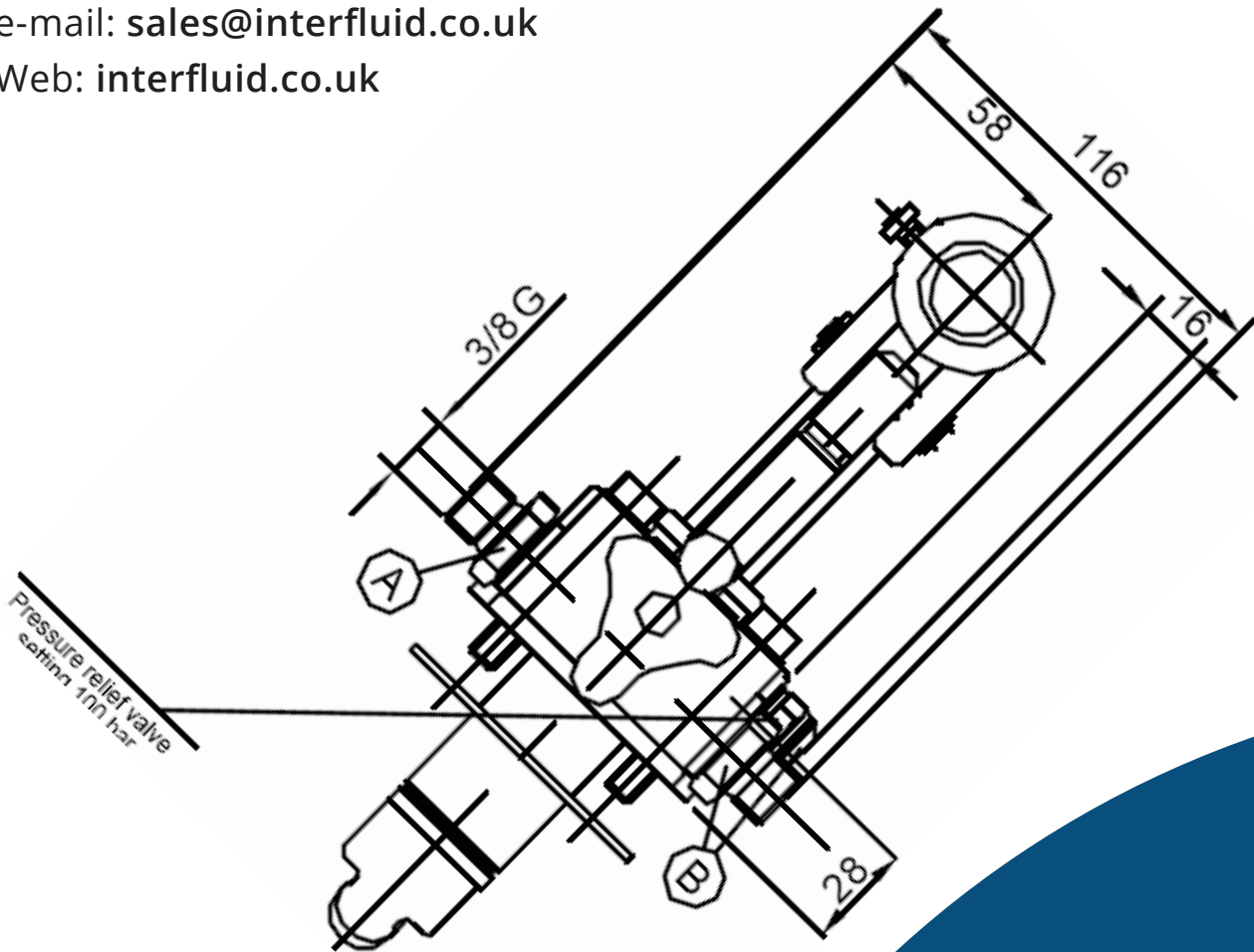


Interfluid

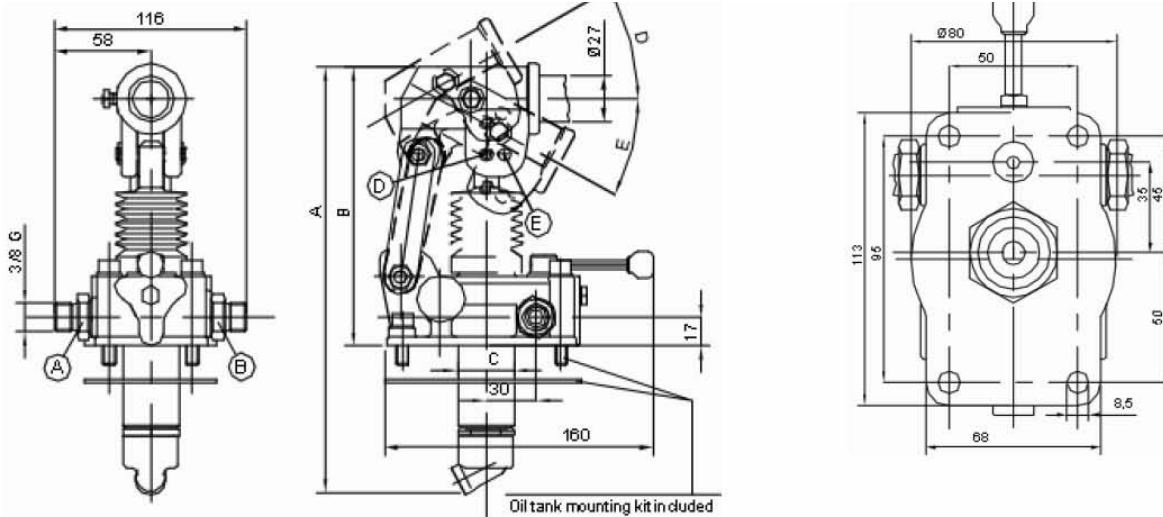
Hydraulics Ltd

Beeching Park
Kelly Bray
Callington
Cornwall
PL17 8QS

Tel: +44 (0) 1822 833111
e-mail: sales@interfluid.co.uk
Web: interfluid.co.uk



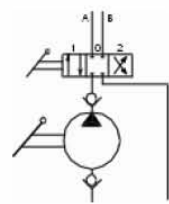
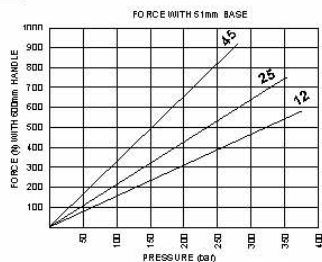
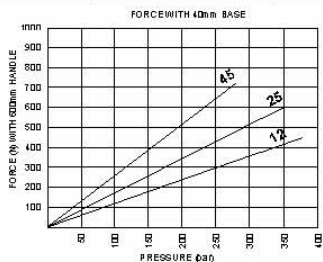
HANDPUMPS



Type	Displacement	Work Pressure	Max Pressure	Weight	A (mm)	B (mm)	C (mm)	D (°)	E (°)
HPMR12	12cm ³	320 bar	380 bar	4.2kg	253	166	34	26	31
HPMR25	25cm ³	280 bar	350 bar		273	172	34	30	30
HPMR45	45cm ³	220 bar	280 bar		283	172	40	45	33

Max Pressure	See chart
Ambient Temperature	-15 to +70°C
Recommended Oil	Hydraulic Mineral Oil ISO 6743/4 DIN 51519 Viscosity ISO3448

Recommended Filtration	100 micron minimum
Weight	See chart



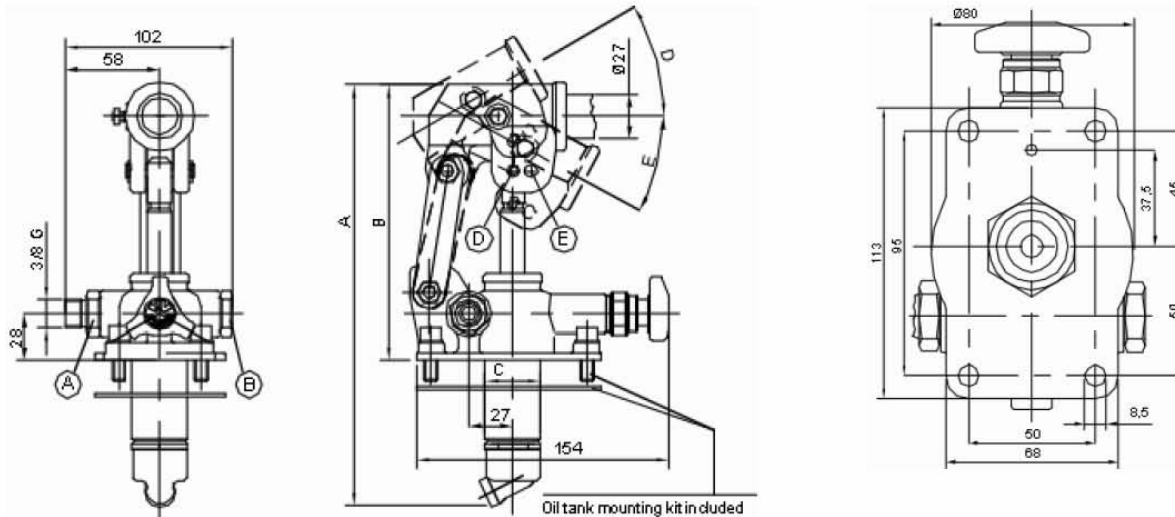
HPMR	45	00	S	VM				
Series	Size	No,	Version	No,	Rod Gaiter	No,	Relief	No,
	12cm ³	12	With D.A Lever	00	With Gaiter	S	With	VM
	25cm ³	25			Without Gaiter	blank	Without	blank
	45cm ³	45						

All data is given in good faith but without responsibility and may be subject to change without notice, all dimensions in mm

Any Questions ?

If you would like more information, technical assistance or to place an order please, Call us on +44 (0) 1822 833111 or e-mail sales@interfluid.co.uk

SINGLE ACTING HANDPUMPS HPMU



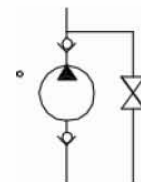
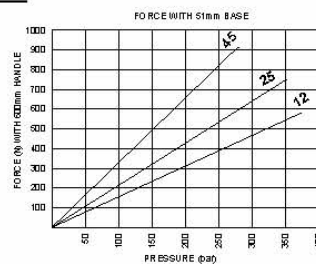
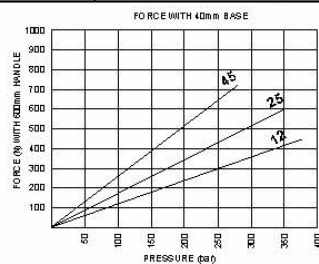
Type	Displacement	Work Pressure	Max Pressure	Weight	A (mm)	B (mm)	C (mm)	D (°)	E (°)
HPMU12	12cm ³	320 bar	380 bar	2.95kg	253	166	34	26	31
HPMU25	25cm ³	280 bar	350 bar		273	172	34	30	30
HPMU45	45cm ³	220 bar	280 bar		283	172	40	45	33

Description - The HPMU Series of Hand Pumps are double stroke and can be flange mounted directly onto a tank. Designed to operate a single acting cylinder, an unloading valve is optional. A 0.6 metre lever handle is included as standard with hand grip.

Technical data,

Max Pressure	See chart
Ambient Temperature	-15 to +70°C
Recommended Oil	Hydraulic Mineral Oil ISO 6743/4 DIN 51519 Viscosity ISO3448

Recommended Filtration	100 micron minimum
Weight	See chart



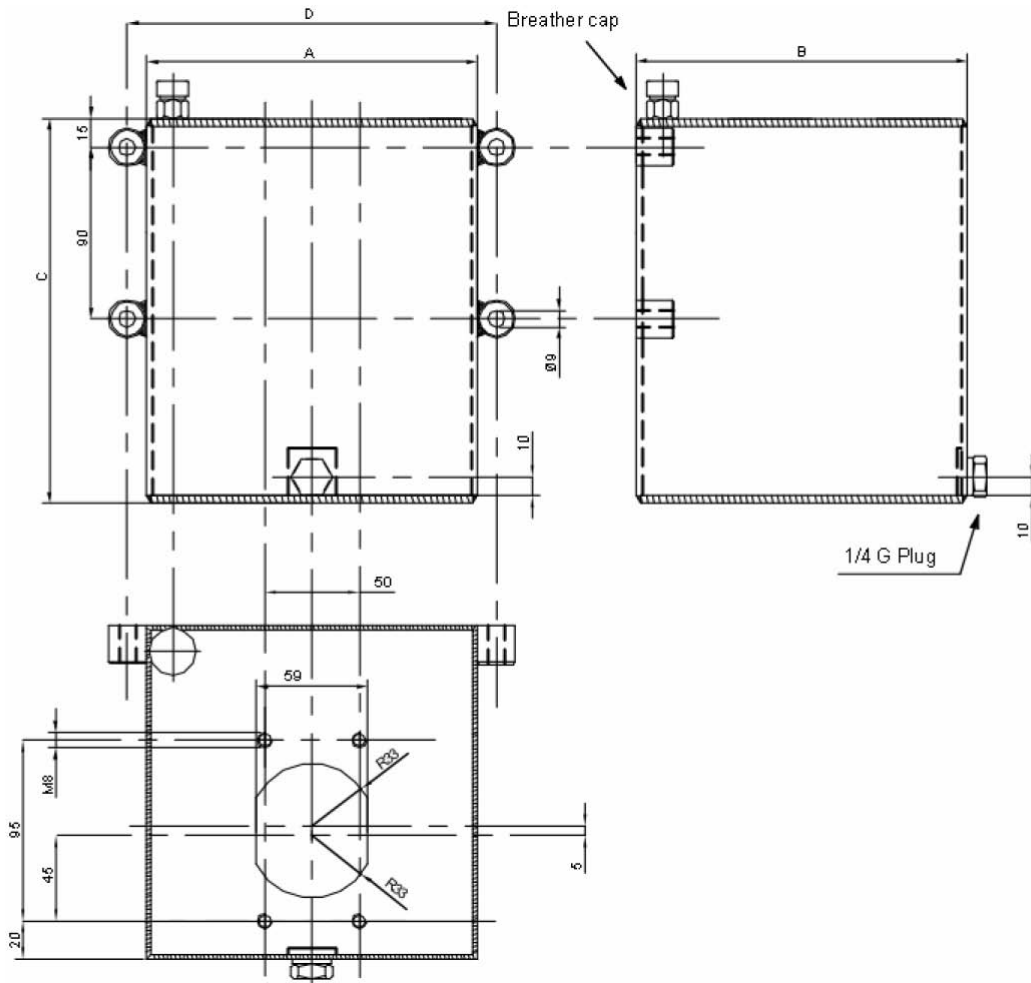
HPMU	45	01	S	VM				
Series	Size	No,	Version	No,	Rod Gaiter	No,	Relief	No,
	12cm ³	12	Without Unload	00	With Gaiter	S	With	VM
	25cm ³	25	With Unload	01	Without Gaiter	blank	Without	blank
	45cm ³	45						

All data is given in good faith but without responsibility and may be subject to change without notice, all dimensions in mm

Any Questions ?

If you would like more information, technical assistance or to place an order please, Call us on +44 (0) 1822 833111 or e-mail sales@interfluid.co.uk

HANDPUMP RESERVOIRS



Type	Capacity Litres	C	B	D	A	Weight kg
RP 408.01	1	120	150	120	100	2.2
RP 408.02	2	185				3
RP 408.03	3	255				3.7
RP 408.05	5	200	175	195	175	5.3
RP 408.07	7	275				6.6
RP 408.10	10	380				8.3

Description - This series of Hand Pump tanks are suitable for Hand Pumps HPMR and HPMU. Constructed from 3mm Steel these tanks are very robust and can be bulkhead mounted using 4 off M8 bolts. Pre-drilled to accept the HPM Hand Pumps. Mounting for vertical or Horizontal orientation. Black powder coated finish.

Complete with a Filler and drain plug and available in capacities up to 10 litres as standard

All data is given in good faith but without responsibility and may be subject to change without notice, all dimensions in mm

**Any
Questions ?**

If you would like more information, technical assistance or to place an order please, Call us on +44 (0) 1822 833111 or e-mail sales@interfluid.co.uk

HANDPUMP & TANK PRICES

Hand Pumps

Part No	Price
HPMU12	£107.21
HPMU25	£110.76
HPMU45	£114.29
HPMR12	£126.49
HPMR25	£130.08
HPMR45	£133.63

Tanks

Part No	Price
RP 408.01	£43.22
RP 408.02	£46.74
RP 408.03	£50.58
RP 408.05	£64.01
RP 408.07	£69.47
RP 408.10	£76.82

Handpumps are supplied with handle with rubber grip plus fitting kit to attach to reservoir, including seal. All prices are quoted as net, ex-works.

**Any
Questions ?**

If you would like more information, technical assistance or to place an order please,
Call us on +44 (0) 1822 833111
or e-mail sales@interfluid.co.uk