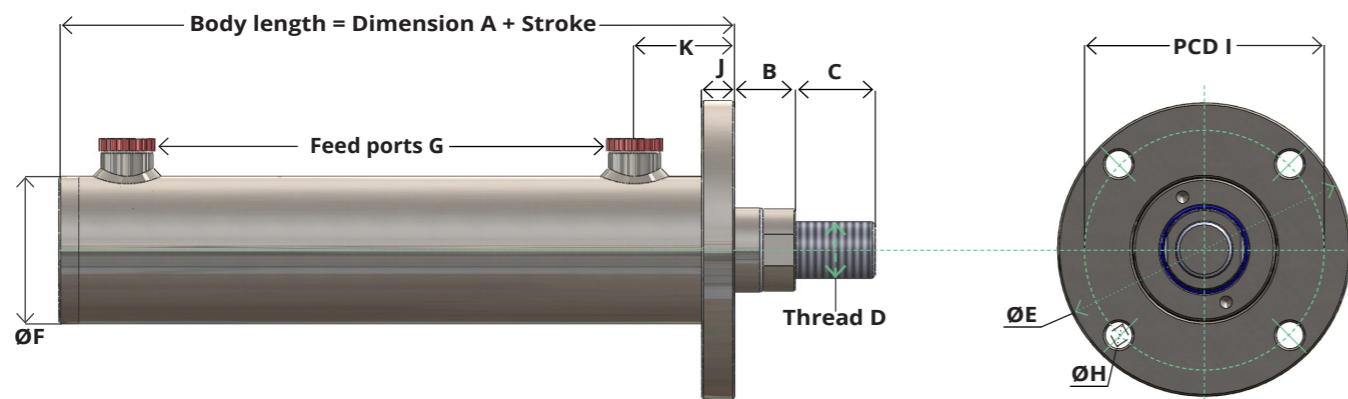


# FRONT FLANGE MOUNTED CYLINDERS

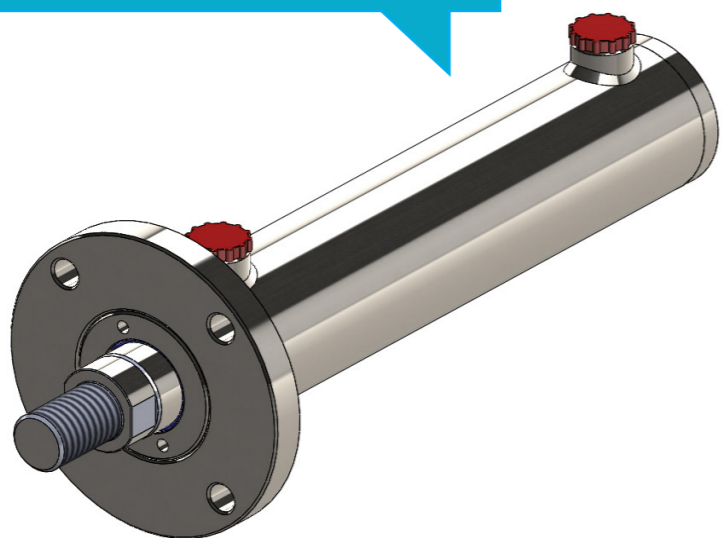
A range of cylinders mounted on a circular front flange, with a male threaded rod-end. These cylinders are made to order on short lead times and can be manufactured up to 5m stroke (customer to specify stroke length).

Bespoke flanges can be manufactured and mounted to custom specifications.



Front Flange 40 - 70 bore 4 holes ØH on PCD I  
Front Flange 80 - 100 bore 6 holes ØH on PCD I

Our bespoke cylinders are designed with Solidworks and AutoCad, all cylinders supplied fully tested. Certificates available upon request



# STANDARD CYLINDER DIMENSIONS

Can be altered to suit your exact specifications.

Bore DIA	Rod DIA	A	B	C	D	E	F	G	H	I	J	K
40	20	108	25	25	M16X1.5	109	50	1/4" BSP	11	87	12.5	40
	25											
50	25	118	30	25	M16X1.5	128	60	3/8" BSP	13	105	14.5	43
	30			30	M20X1.5							
	35											
60	30	137	30	30	M20X1.5	142	70	3/8" BSP	13	117	16.5	50
	35			35	M24X2.0							
	40			40	M27X2.0							
63	30	137	30	30	M20X1.5	142	73	3/8" BSP	13	117	16.5	50
	35			35	M24X2.0							
	40			40	M27X2.0							
70	35	143	35	30	M24X2.0	162	80	3/8" BSP	15	127	16.5	50
	40			40	M27X2.0							
	50											
80	40	163	35	40	M27X2.0	181	95	1/2" BSP	17	149	18.5	60
	50			45	M33X2.0							
	60											
100	40	187	40	40	M27X2.0	194	115	1/2" BSP	17	162	24.5	82
	50			45	M33X2.0							
	60	192	50	50	M39X3.0							
	70											

Maximum working pressure 210 bar.

Test pressure 300 bar unless otherwise stated.

All cylinders can be used as Double Acting OR Single Acting pull / Single Acting push. Cylinders can be supplied with sintered bronze breathers fitted to ports for single acting applications.

Cylinder material: ST52.3 DOM and CDS tube DIN2393 I.S.O. H8 & H9.

Rod material: Standard Grade EN8 DIN UNI CK45, Hard Chrome Plated, minimum 25 microns. Alternative rod materials available: Chrome plated Stainless Steel grades 431S29T / 316 / 304; NIKROM 350.

Headbush material: Cast Iron - UNI5007-G25 unless otherwise stated.

Bore diameters available from 25mm to 250mm.

350 bar Heavy Duty range of cylinders and alternative rod and bore combinations available.

Data given illustrates standard sizes. Bespoke manufacturing options are always available, call or email for further details.

All data is given in good faith but without responsibility and may be subject to change without notice, all dimensions in mm.

Download



Scan the code above

Any Questions ?

If you would like more information, technical assistance or to place an order please,

Call us on +44 (0) 1822 833111  
or e-mail sales@interfluid.co.uk