

**Interfluid**

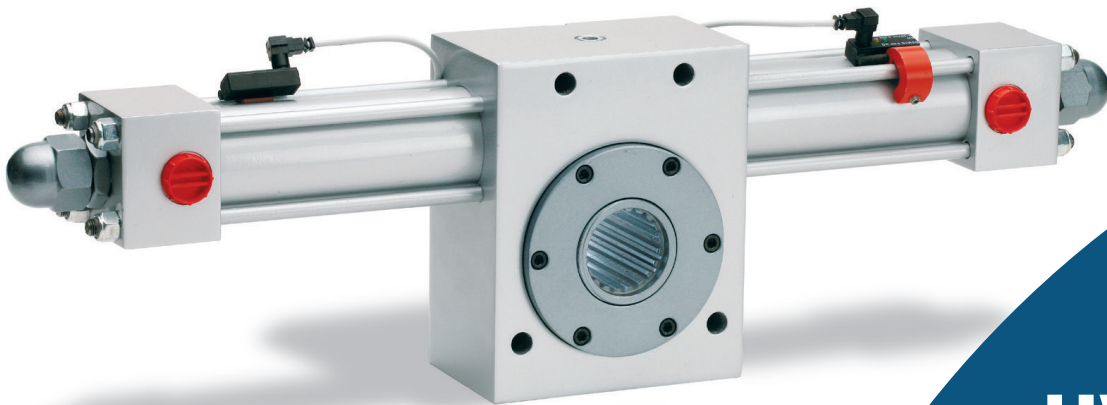
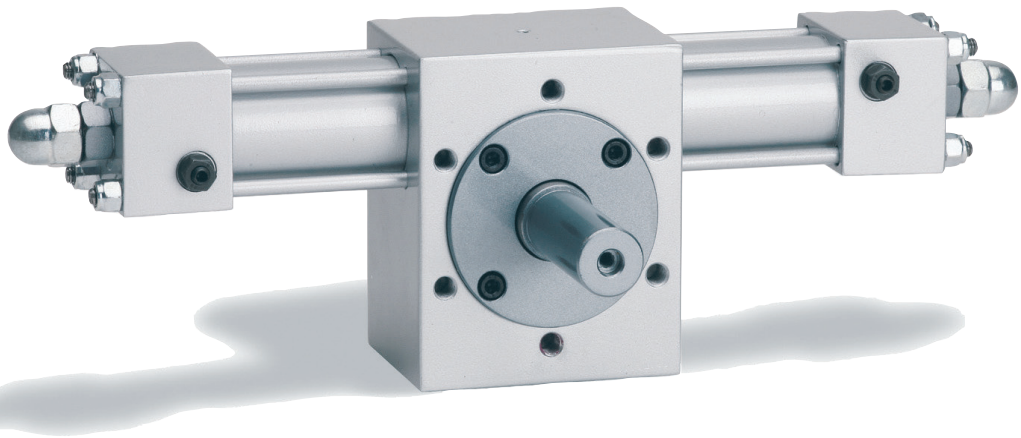
*Hydraulics Ltd*

Beeching Park  
Kelly Bray  
Callington  
Cornwall  
PL17 8QS

Tel: +44 (0) 1822 833111

e-mail: [sales@interfluid.co.uk](mailto:sales@interfluid.co.uk)

Web: [interfluid.co.uk](http://interfluid.co.uk)

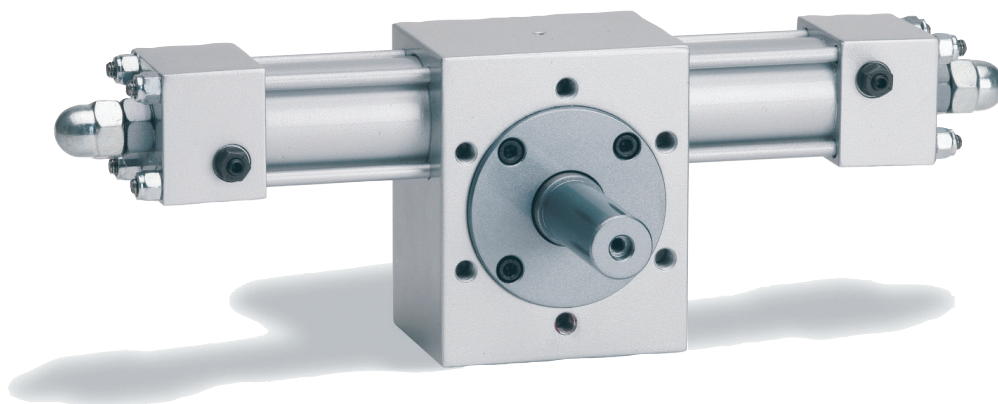


**HYDRAULIC  
ROTARY  
ACTUATOR  
RANGE**

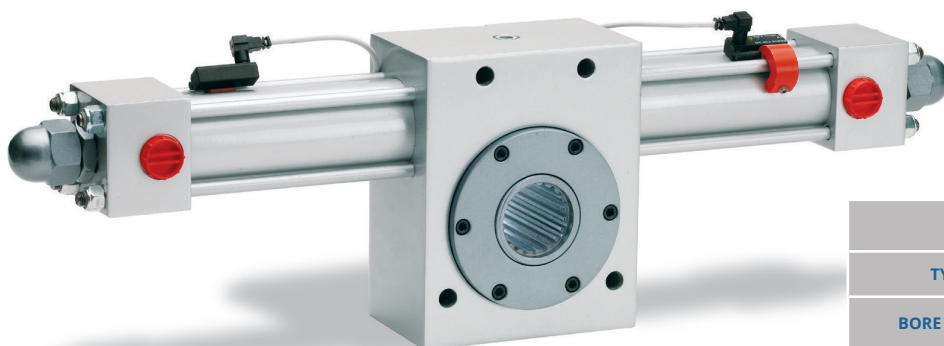
# HYDRAULIC ROTARY ACTUATORS

ROTARY ACTUATORS GENERATE A TORQUE THROUGH A COGWHEEL AND A RACK MOVED BY A HYDRAULIC CYLINDER. THIS SOLUTION SIMPLIFIES THE KINEMATIC AND MAINTENANCE REQUIRED DURING ITS LIFE CYCLE. ROTARY ACTUATORS HAVE ADJUSTABLE CUSHIONING, THIS CAN GENERATE A CUSHIONING TORQUE COMPARABLE TO THE MAXIMUM TORQUE OF THE CYLINDER. THE STROKE END ADJUSTER ALLOWS PHASING THE SYSTEM WITH A REGULATION RANGE OF +/- 5 DEGREES. ACTUATORS ARE ALSO AVAILABLE WITH A MAGNETIC PISTON "MR SERIES" WHICH CAN BE FITTED WITH PROXIMITY SWITCHES ALONG THE STROKE.

## HR - STANDARD



## MD - MAGNETIC



SPECIFICATIONS			
TYPE	HR 32/32	HR 40/70	HR 63/96
BORE Ø(mm)	32	40	63
SPECIFIC STROKE (1)	0.28	0.61	0.83
SPECIFIC TORQUE (daNm / bar)	1.2	4	12
OPERATING PRESSURE (bar)	50	100	100
PEAK PRESSURE (bar)	80	140	140
MAX. SPEED ROTATION (rad / sec)	30	14	10
WEIGHT - 180° (Kgs)	4.80	12.5	43

FEATURES AVAILABLE AS PER "CD" AND "MD" CYLINDERS

(1) SPECIFIC STROKE FOR EVERY ROTATION ANGLE  
FOR EXAMPLE HR 40/70 - 180° STROKE (0.61x180) = 110

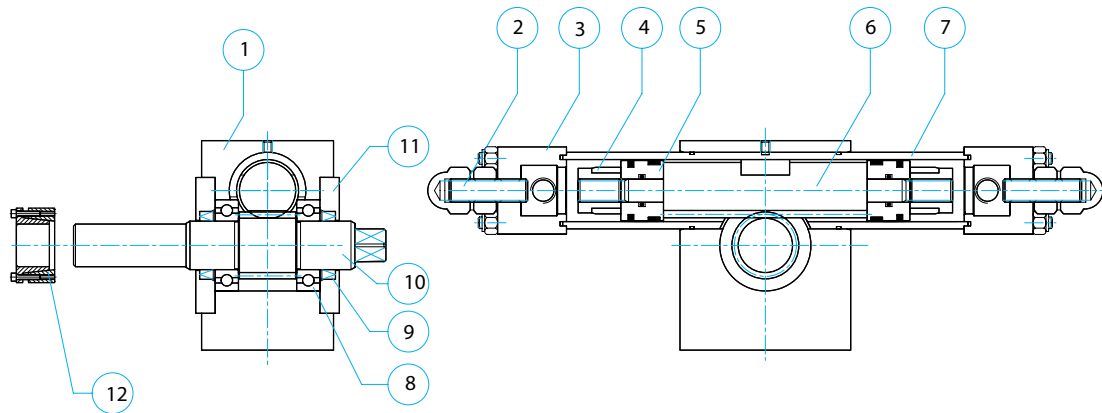
SEAL CODE	PERFORMANCE					FLUID		
	HIGH SEALING	LOW FRICTION	MAX SPEED	TEMP °C MIN	TEMP °C MAX	HYDRAULIC OIL	PHOSPHORIC ESTERS	GLYCOL
S	✓	-	0.5 m/s	-20	+80	✓	-	-
L	-	✓	1 m/s	-20	+80	✓	-	-
H	-	✓	1 m/s	-20	+150	✓	✓	-
G	-	✓	0.5 m/s	-20	+80	-	-	✓

## Any Questions ?

If you would like more information, technical assistance or to place an order please,  
Call +44 (0) 1822 833111 / e-mail [sales@interfluid.co.uk](mailto:sales@interfluid.co.uk) / visit <https://interfluid.co.uk>

# HYDRAULIC ROTARY ACTUATORS

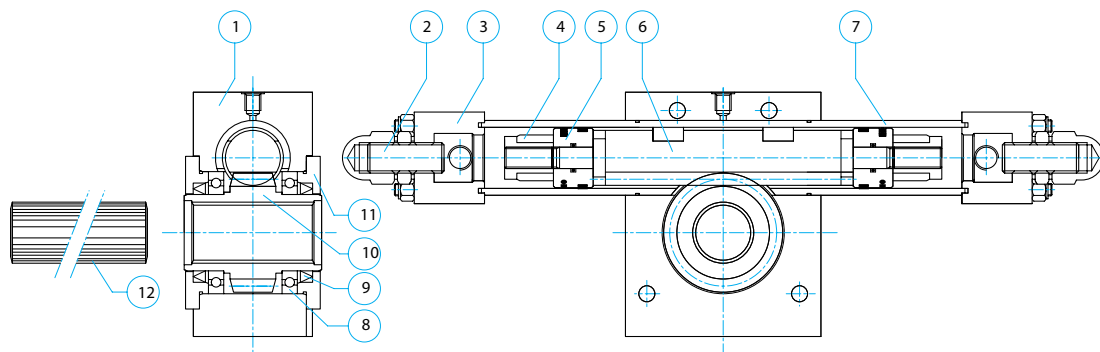
## HR 32/32



	COMPONENT	MATERIAL
1	BODY	ALUMINIUM
2	STROKE ADJUSTER +/- 5°	STEEL
3	HEAD	STEEL
4	CUSHIONING	HARDENED STEEL
5	PISTON	STEEL
6	RACK	ALLOY STEEL
7	TUBE	STEEL
8	BALL BEARING	
9	ROTATING SHAFT SEAL	NBR
10	COGWHEEL WITH SHAFT	ALLOY STEEL
11	CLOSING FLANGE	STEEL
12*	SHAFT CLAMP	

\*SUPPLIED ON REQUEST

## HR 40/70 + HR 63/96



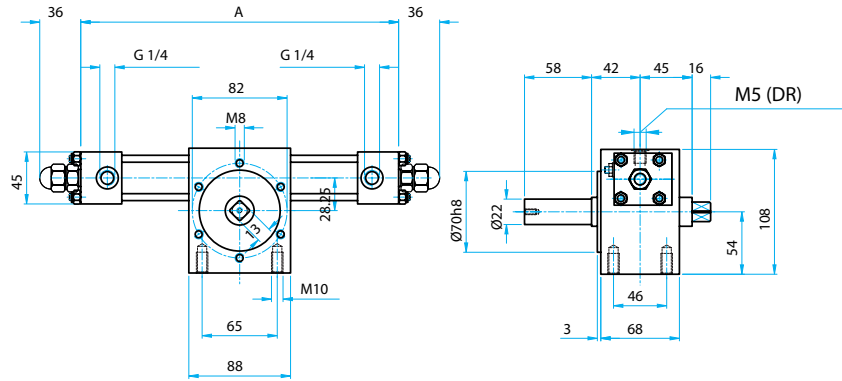
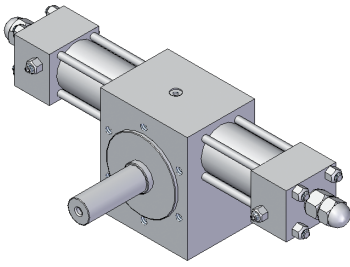
	COMPONENT	MATERIAL
1	BODY	ALUMINIUM
2	STROKE ADJUSTER +/- 5°	STEEL
3	HEAD	STEEL
4	CUSHIONING	HARDENED STEEL
5	PISTON	STEEL
6	RACK	ALLOY STEEL
7	TUBE	STEEL
8	BALL BEARING	
9	ROTATING SHAFT SEAL	NBR
10	COGWHEEL WITH SHAFT	ALLOY STEEL
11	CLOSING FLANGE	STEEL
12*	GROOVED SHAFT	

## Any Questions ?

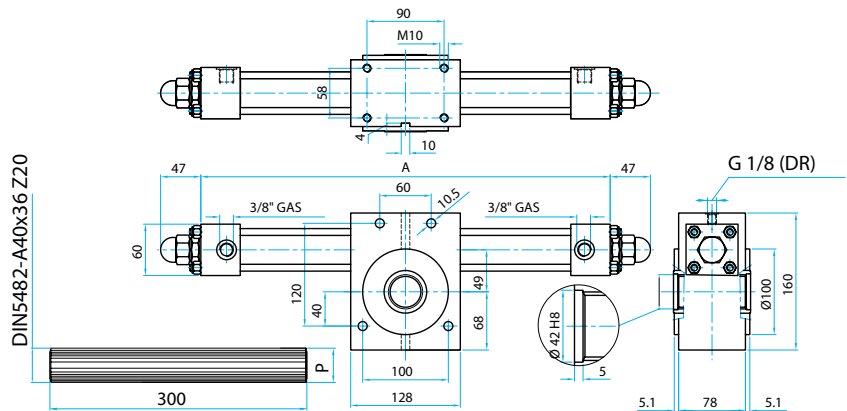
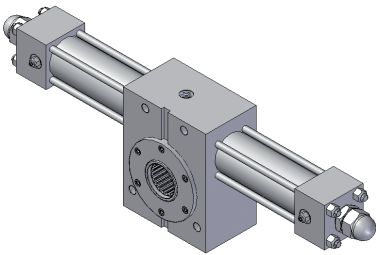
If you would like more information, technical assistance or to place an order please,  
 Call +44 (0) 1822 833111 / e-mail [sales@interfluid.co.uk](mailto:sales@interfluid.co.uk) / visit <https://interfluid.co.uk>

# ROTARY ACTUATOR DIMENSIONS

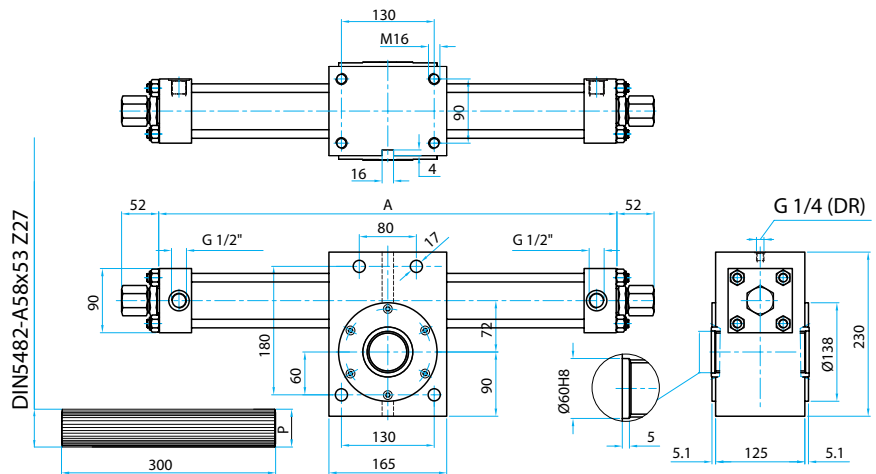
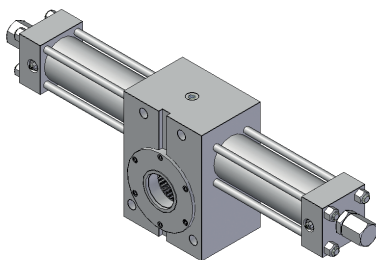
## HR 32/32



## HR 32/32



## HR 32/32



TYPE	ROTATION ANGLE		
	90°	180°	270°
HR 32/32	222	272	322
HR 40/70	368	478	587
HR 63/96	462	610	760

\* IT IS COMPULSORY TO LINK THE DRAIN (DR) PORT TO THE TANK

## Any Questions ?

If you would like more information, technical assistance or to place an order please,  
Call +44 (0) 1822 833111 / e-mail [sales@interfluid.co.uk](mailto:sales@interfluid.co.uk) / visit <https://interfluid.co.uk>

